



Round Duct System Accessories

RD Accessories



Ferdinand Schad KG
Steigstraße 25-27
D-78600 Kolbingen
Telephone +49 (0) 74 63 - 980 - 0
Fax +49 (0) 74 63 - 980 - 200
info@schako.de
www.schako.de

Round Duct System Accessories RD Accessories

Contents

Description	3
Construction	3
Models and dimensions	3
Dimensions	3
Dummy pipe (-BR)	3
Rubber lip seal (-GD)	3
End cover	3
T-piece 90 ° (-ATE)	4
Y-piece (-HSE)	4
Asymmetric reduction piece (-UAE)	4
Pressed bend (-BGE)	4
Bent segment (-BSE)	4
Connection sleeve (-M)	5
Spigot (-BK)	5
Order details	5
Specification texts	6

Round Duct System Accessories RD Accessories

Description

In modern architecture, sheet steel and spiral ducts of air-conditioning systems are often incorporated in the design of the room. Parts of the supply system are often intentionally placed at the front. The visible installation of the ventilation pipes allows air diffusers to be integrated into the pipe. Accessories such as dummy pipes, end covers and connection sleeves complete the range of our round duct diffusers DBB-RR, DSA-RR, KG-RR and WGA-V-RR.

Construction

Dummy pipe (-BR)

- Galvanised sheet steel
- Sheet steel painted to RAL 9010 (white)
- Natural aluminium
- Stainless steel 1.4301 (V2A) painted in the colour sand silver

Pressed bend (-BGE)

- Galvanised sheet steel
- Sheet steel painted to RAL 9010 (white)
- available up to \varnothing 250 mm

Bent segment (-BSE)

- Galvanised sheet steel
- Sheet steel painted to RAL 9010 (white)

Spigot (-BK)

- Galvanised sheet steel
- Sheet steel painted to RAL 9010 (white)
- Natural aluminium
- Stainless steel 1.4301 (V2A) painted in the colour sand silver

Slanted end cover (-EA)

- Galvanised sheet steel
- Sheet steel painted to RAL 9010 (white)
- Natural aluminium
- Stainless steel 1.4301 (V2A) painted in the colour sand silver

Straight end cover (-EG)

- Galvanised sheet steel
- Sheet steel painted to RAL 9010 (white)
- Natural aluminium
- Stainless steel 1.4301 (V2A) painted in the colour sand silver

Rubber lip seal (-GD)

- Special rubber

Y-piece (-HSE)

- Galvanised sheet steel
- Sheet steel painted to RAL 9010 (white)

Asymmetric reduction piece (-UAE)

- Galvanised sheet steel
- Sheet steel painted to RAL 9010 (white)

Symmetric reduction piece (-USE)

- Galvanised sheet steel
- Sheet steel painted to RAL 9010 (white)

T-piece 90 ° (-ATE)

- Galvanised sheet steel
- Sheet steel painted to RAL 9010 (white)

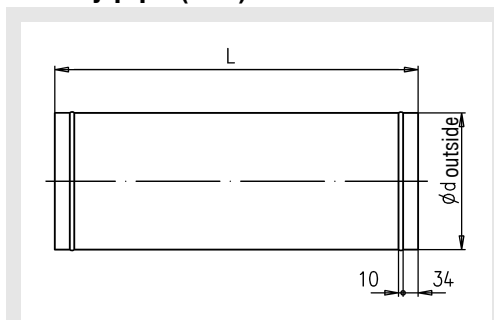
Connection sleeve (-M)

- Galvanised sheet steel
- Sheet steel painted to RAL 9010 (white)
- Natural aluminium
- Stainless steel 1.4301 (V2A) painted in the colour sand silver

Models and dimensions

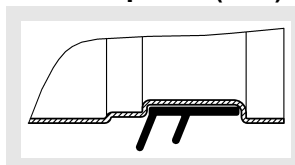
Dimensions

Dummy pipe (-BR)

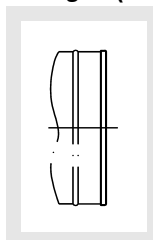


Dummy pipe available in the same dimensions as the diffusers for round ducts.

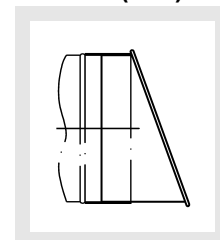
Rubber lip seal (-GD)



End cover straight (-EG)



slanted (-EA)

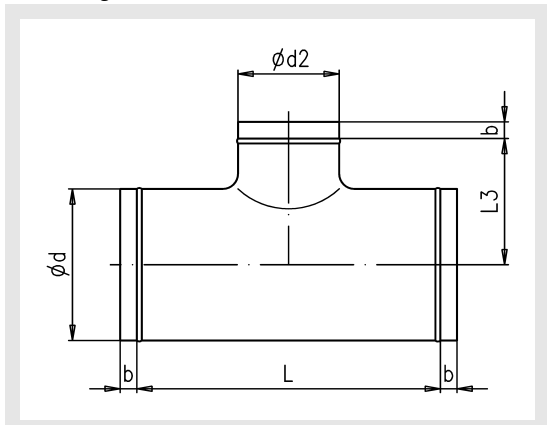


End piece for mounting to round duct diffusers

Round Duct System Accessories RD Accessories

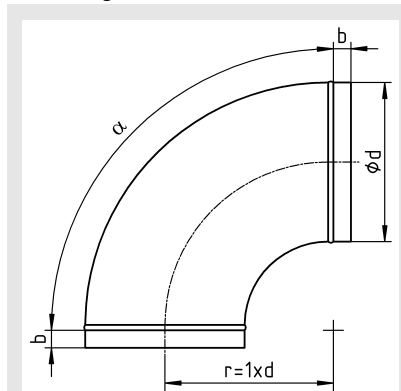
T-piece 90 ° (-ATE)

according to DIN 24 147/6



Pressed bend (-BGE)

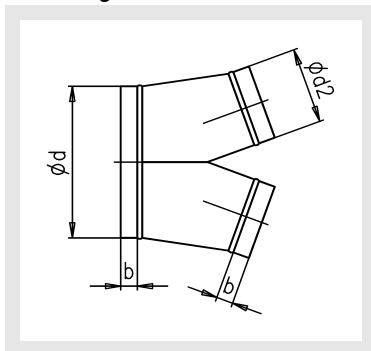
according to DIN 24 147/2



$a = 30^\circ / 45^\circ / 90^\circ$
available up to $\phi 315$ mm

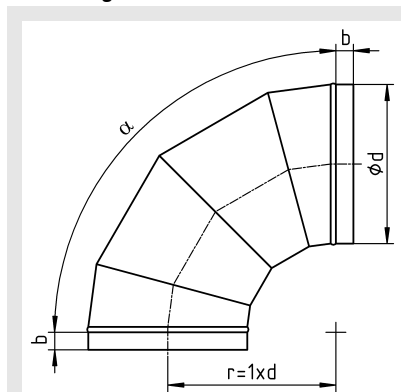
Y-piece (-HSE)

according DIN 24 147/13



Bent segment (-BSE)

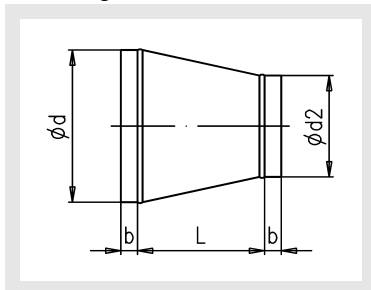
according DIN 24 147/3



$a = 15^\circ / 30^\circ / 45^\circ / 60^\circ / 90^\circ$

Symmetric reduction piece (-USE)

according to DIN 24 147/4

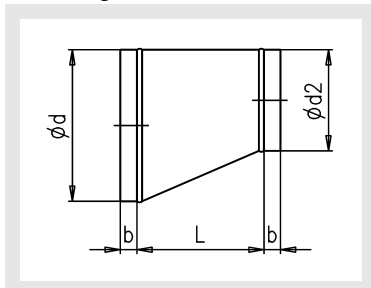


Inserted lengths (for ATE / HSE / USE / UAE / BGE / BSE)

$\phi D / \phi d2$ [mm]	b [mm]
200-224	40
250-355	60
400-630	80
710-900	100

Asymmetric reduction piece (-UAE)

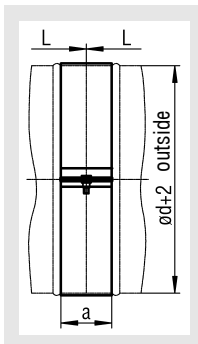
according to DIN 24 147/4



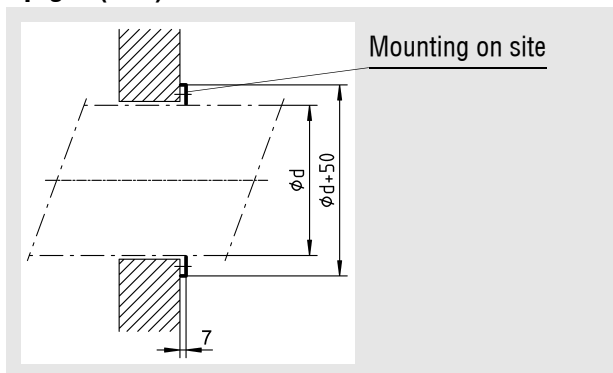
Round Duct System Accessories RD Accessories

Connection sleeve (-M)

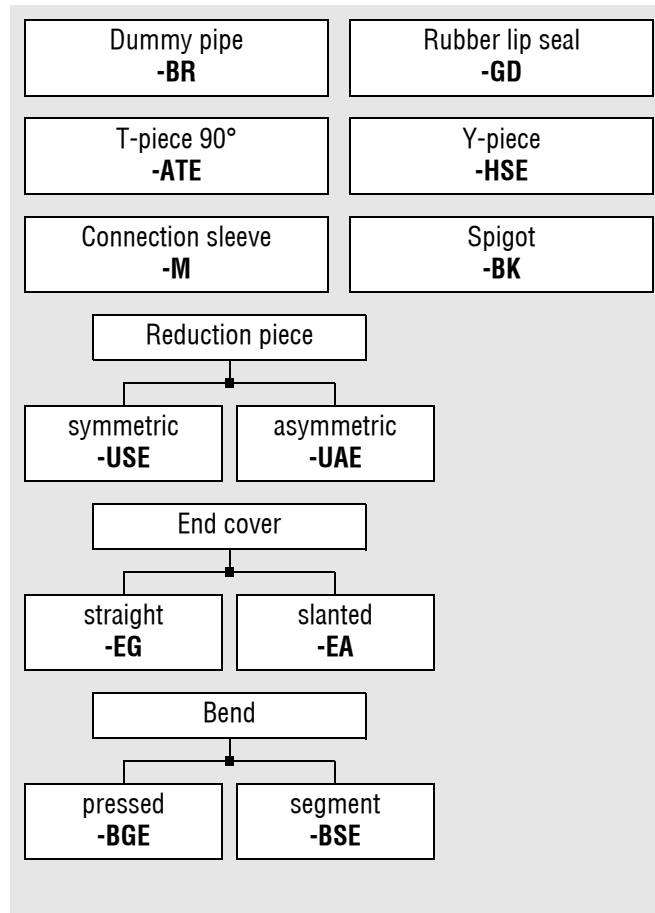
- To connect round duct diffuser to round duct diffuser
a = 68 mm (standard)
- To connect round duct diffuser to DIN accessories:
 $\varnothing D = 200 - 224 : a = 74 \text{ mm}$
 $\varnothing D = 250 - 355 : a = 94 \text{ mm}$
 $\varnothing D = 400 - 630 : a = 114 \text{ mm}$
 $\varnothing D = 710 - 900 : a = 134 \text{ mm}$
- When ordering, the a dimension must be specified. Unless stated otherwise in the order, the connection sleeves of the standard a dimension of 68 mm will be delivered.
- The maximum a dimension available is 170 mm.
- The connection sleeve is not an airtight connection of the pipes. In order to achieve an airtight connection, sealing must take place on-site or a rubber lip seal (GD) at the round duct must be ordered at an extra charge.



Spigot (-BK)



Order details



Round Duct System Accessories RD Accessories

Specification texts

- Dummy pipe (-BR) consisting of:
 - Sheet steel painted to RAL 9010 (white)
 - Galvanised sheet steel
 - Natural aluminium
 - Stainless steel 1.4301 (V2A) painted in the colour sand silver
- Bend
 - pressed (-BGE) (available up to \varnothing 315 mm)
 - segment (-BSE)
consisting of:
 - Sheet steel painted to RAL 9010 (white)
 - Galvanised sheet steel
- Spigot (-BK), consisting of:
 - Sheet steel painted to RAL 9010 (white)
 - Galvanised sheet steel
 - Natural aluminium
 - Stainless steel 1.4301 (V2A) painted in the colour sand silver
- End cover
 - straight (-EG)
 - slanted (-EA)
consisting of:
 - Sheet steel painted to RAL 9010 (white)
 - Galvanised sheet steel
 - Natural aluminium
 - Stainless steel 1.4301 (V2A) painted in the colour sand silver
- Rubber lip seal (-GD)
- Y-piece (-HSE), consisting of:
 - sheet steel painted to RAL 9010 (white)
 - Galvanised sheet steel
- Reduction piece
 - symmetric (-USE)
 - asymmetric (-UAE)
consisting of:
 - sheet steel painted to RAL 9010 (white)
 - Galvanised sheet steel
- T-piece 90 ° (-ATE) consisting of:
 - sheet steel painted to RAL 9010 (white)
 - Galvanised sheet steel
- Connection sleeve (-M) consisting of:
 - sheet steel painted to RAL 9010 (white)
 - Galvanised sheet steel
 - Natural aluminium
 - Stainless steel 1.4301 (V2A)