



# Poppet Valve

## SVZ / SVA



SCHAKO KG  
Steigstraße 25-27  
D-78600 Kolbingen  
Telephone +49 (0) 74 63 - 980 - 0  
Fax +49 (0) 74 63 - 980 - 200  
[info@schako.de](mailto:info@schako.de)  
[www.schako.de](http://www.schako.de)

## Poppet Valve SVZ / SVA

### Contents

<b>Description</b> .....	<b>3</b>
Construction .....	3
Model .....	3
Accessories .....	3
Fastening .....	3
<b>Models and dimensions</b> .....	<b>4</b>
Dimensions .....	4
Dimensions of accessories .....	5
<b>Technical Data</b> .....	<b>6</b>
Pressure loss and noise level .....	6
<b>Legend</b> .....	<b>8</b>
<b>Specification texts</b> .....	<b>8</b>

## Poppet Valve SVZ / SVA

### Description

The **sheet steel** poppet valves are **suitable for use in supply air or return air installations**.

Around the poppet valve runs a cellular seal, which allows a perfect fit of the poppet valve and a secure seal.

**A mounting frame** is delivered for easy and quick mounting of the poppet valve. This mounting frame is connected to the ceiling with screws. The poppet valve is then mounted to the mounting frame by means of a bayonet catch.

To set the required air volume, the valve disc must be rotated. The air volume setting is fixed using a counter nut.

For the supply air poppet valves, a cover is fitted to the valve disc to reduce noise levels.

In the shock-proof model, the return air poppet valve type SVA is also suitable for use in protection rooms of civil protection.

### Construction

Mounting ring

- Plastic, similar to the RAL colour 9010 (white), up to size 150
- Galvanised sheet steel, from size 160

Front frame

- Sheet steel painted to RAL 9010 (white)

Adjustment spindle

- Steel

Valve disc

- Sheet steel painted to RAL 9010 (white)

Valve disc cover (SVZ only)

- Galvanised sheet steel

### Model

- SVZ - Supply air
- SVA - Return air

### Accessories

Panelled cover plate (-PA)

- Sheet steel painted to RAL 9010 (white), with integrated mounting ring

Saddle bracket (-SA)

- Galvanised sheet steel with integrated mounting ring

### Fastening

Screw mounting (-SM)

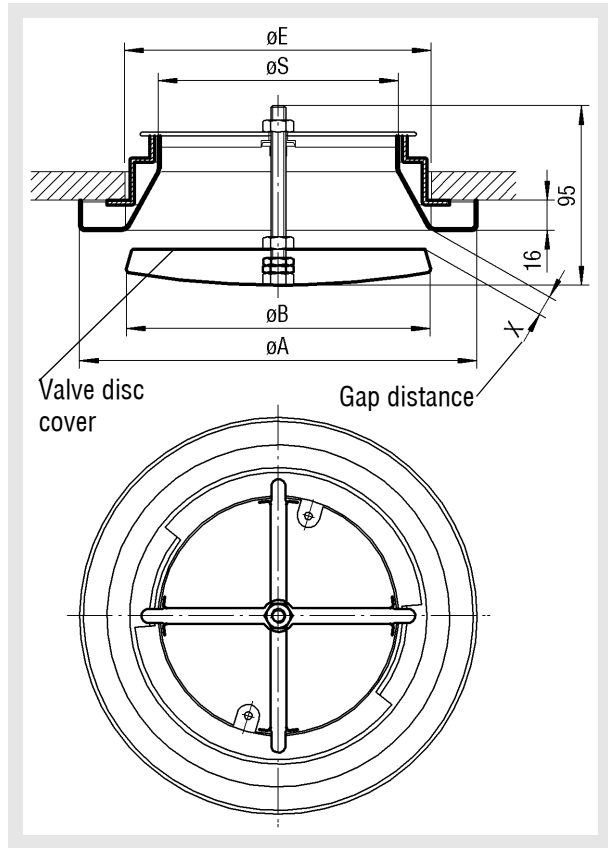
- Mounting frame is fitted to the cover plate

## Poppet Valve SVZ / SVA

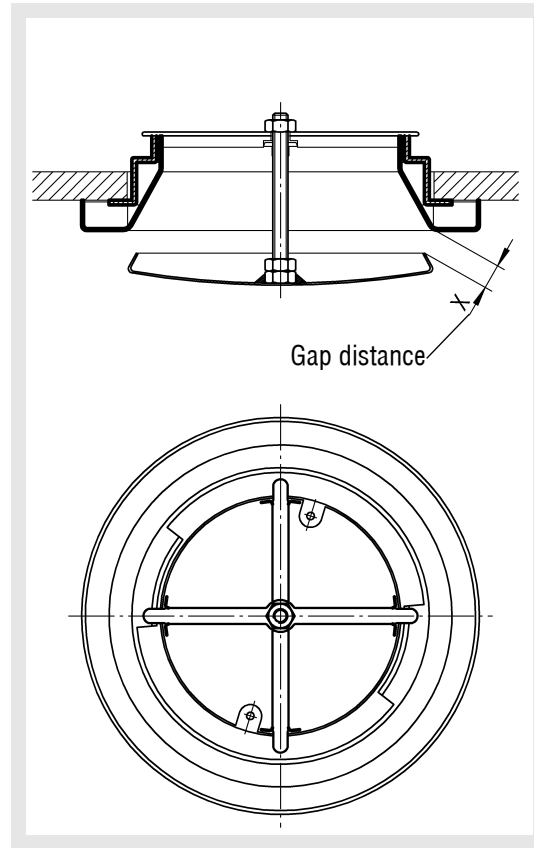
### Models and dimensions

#### Dimensions

##### SVZ (supply air)



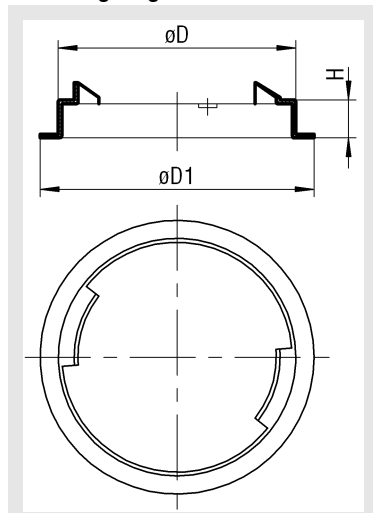
##### SVA (return air)



#### Available sizes SVZ / SVA

Size	$\varnothing A$	$\varnothing B$	$\varnothing S$	$\varnothing E$
100	150	100	65	105
150	200	150	115	155
160	210	162	126	165
200	250	200	165	205

#### Mounting ring



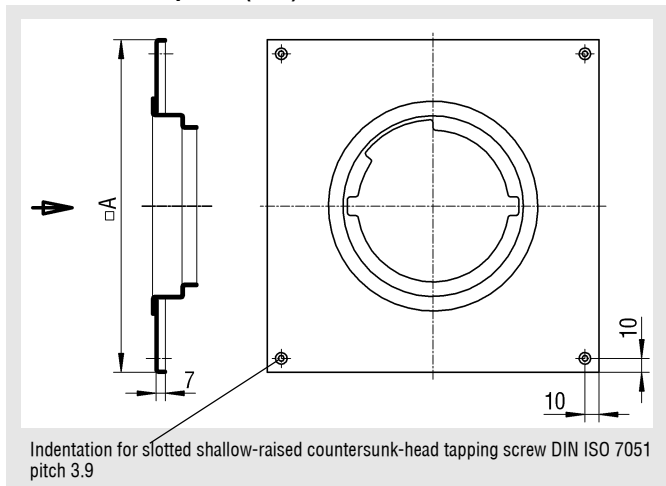
#### Available sizes of mounting ring

Size	$\varnothing D$		$\varnothing D1$		H	
	Steel	Plastic	Steel	Plastic	Steel	Plastic
100	97	98	125	118	22	25
150	148	148	185	168	24	25
160	157	-	193	-	27	-
200	197	-	220	-	35	-

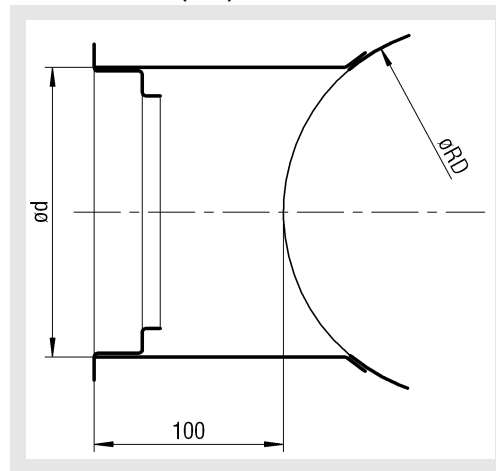
## Poppet Valve SVZ / SVA

### Dimensions of accessories

#### Panelled cover plate (-PA)



#### Saddle bracket (-SA)



#### Available sizes of accessories

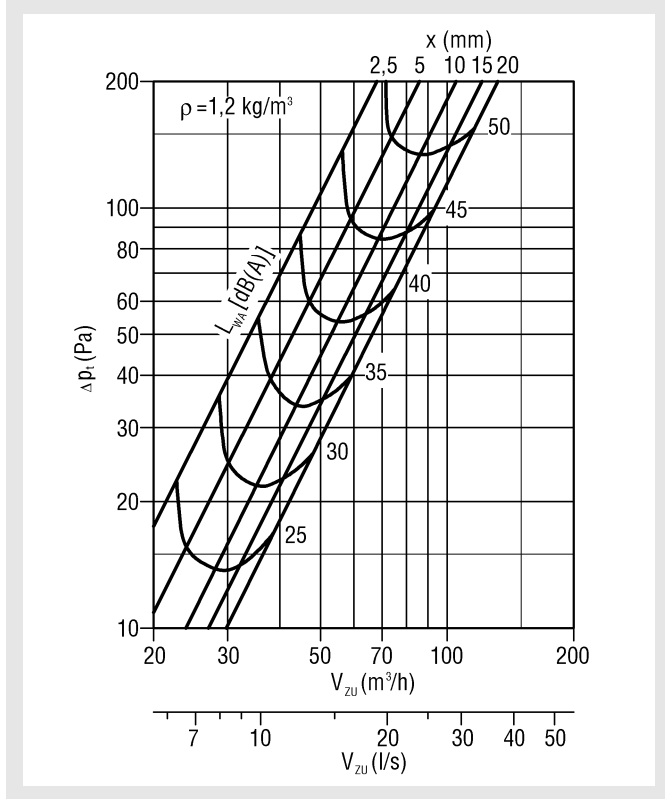
Size	$\square A$	$\varnothing RD$	$\varnothing d$
100	185	150	100
150	285	200	150
160	285	200	160
200	285	250	200

# Poppet Valve SVZ / SVA

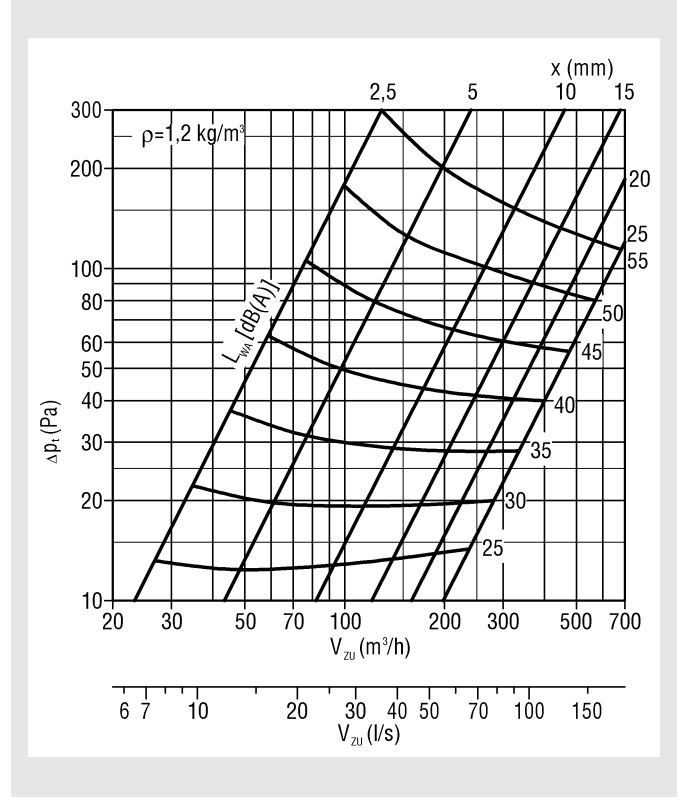
## Technical Data

### Pressure loss and noise level

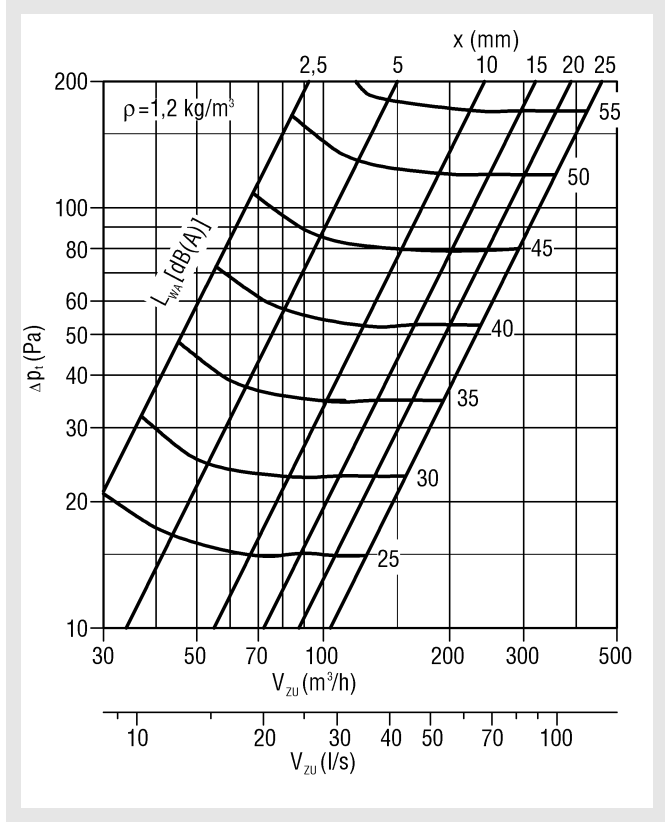
#### SVZ 100



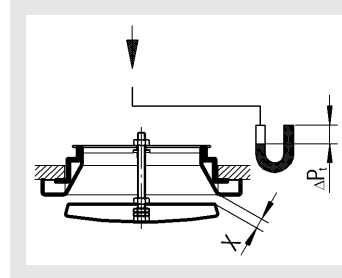
#### SVZ 200



#### SVZ 150 / 160

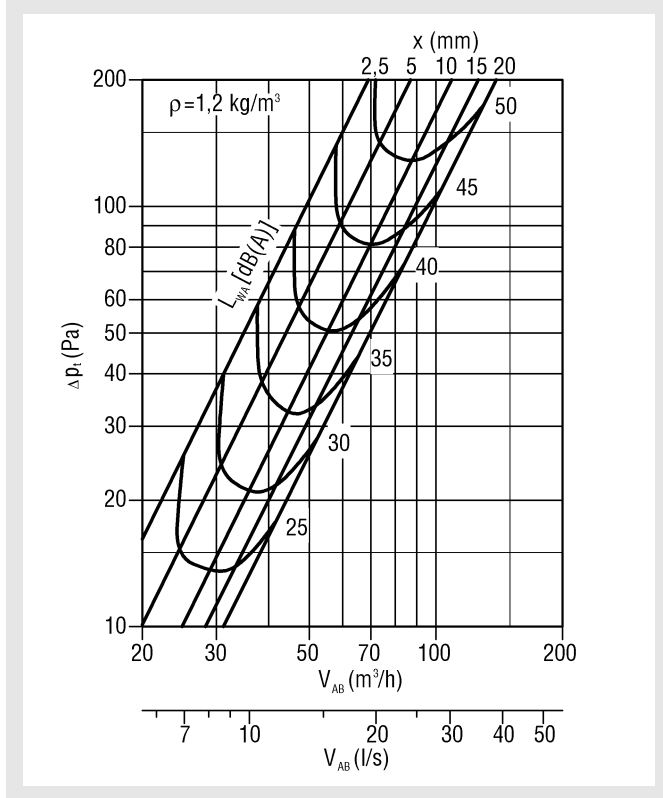


#### Supply air

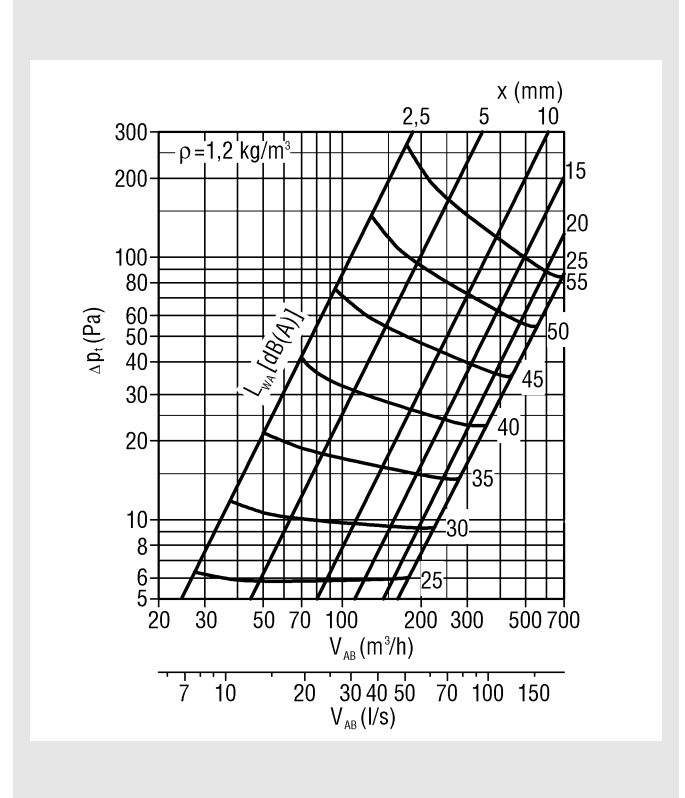


# Poppet Valve SVZ / SVA

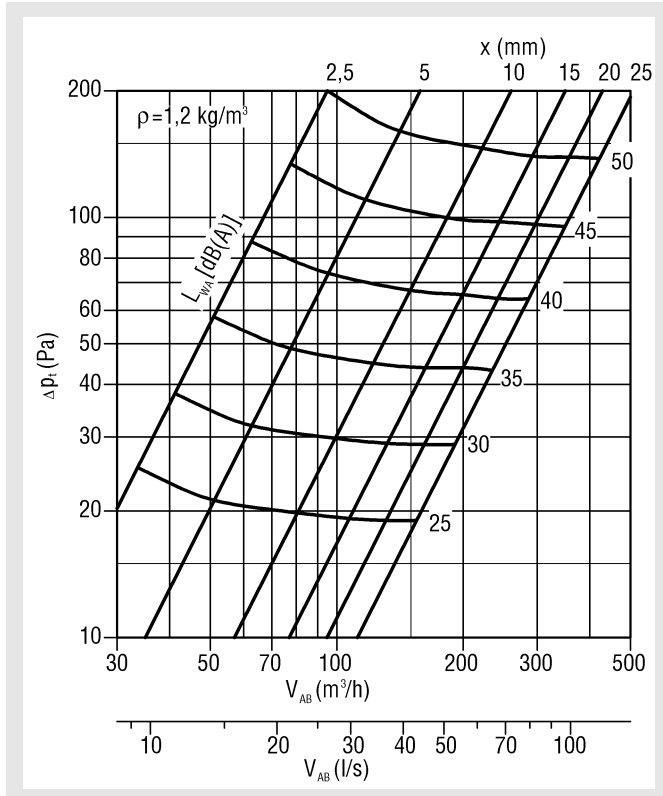
## SVA 100



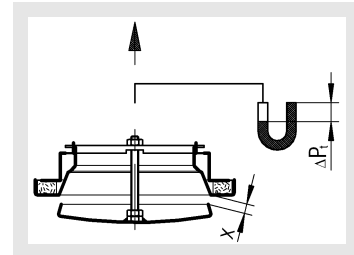
## SVA 200



## SVA 150 / 160



## Return air



## Poppet Valve SVZ / SVA

### Legend

$V_{ZU}$	(m <sup>3</sup> /h)	= Supply air volume
$V_{ZU}$	[l/s]	= Supply air volume
$V_{AB}$	(m <sup>3</sup> /h)	= Return air volume
$V_{AB}$	[l/s]	= Return air volume
x	(mm)	= Gap distance
$\Delta p_t$	(Pa)	= Pressure loss
$L_{WA}$	[dB(A)]	= A-weighted sound power level
$\rho$	(kg/m <sup>3</sup> )	= Density
Size	(mm)	= Nominal value

### Specification texts

Poppet valve for supply air, comprising a round front frame made of galvanised sheet steel painted to RAL 9010 (white) and circumferential cellular seal. With cover on the adjustable valve disc made of galvanised sheet steel, painted to RAL 9010 (white) for air volume regulation. Counter nut to fix air volume setting and adjustment spindle made of galvanised steel. Includes plastic mounting ring up to size 150 colour similar to RAL 9010 (white), from size 160 made of galvanised sheet steel with bayonet catch.

Product: SCHAKO **type SVZ**

- Poppet valve for return air with adjustable valve disc without cover on valve disc.

Product: SCHAKO **type SVA**

- Shock-proof model for use in protection rooms for civil protection.

Accessories:

- Panelled cover plate (-PA) made of sheet steel painted to RAL 9010 (white) with integrated mounting ring made of galvanised sheet steel.
- Saddle bracket (-SA) with integrated mounted ring made of galvanised sheet steel.