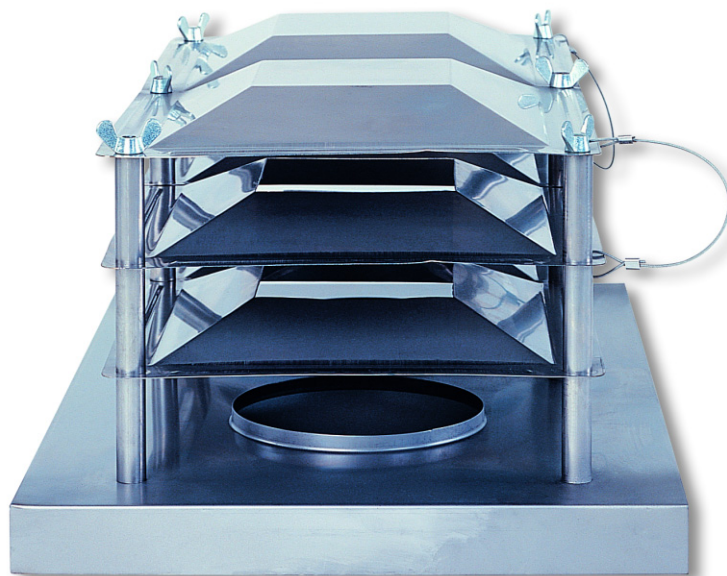




Chimney Cowl SH



SCHAKO KG
Steigstraße 25-27
D-78600 Kolbingen
Telephone +49 (0) 74 63 - 980 - 0
Fax +49 (0) 74 63 - 980 - 200
info@schako.de
www.schako.de

Chimney Cowl SH

Contents

| | |
|------------------------------------|----------|
| Description | 3 |
| Construction | 4 |
| Model | 4 |
| Fastening | 4 |
| Models and dimensions | 5 |
| Dimensions | 5 |
| Order details | 6 |
| Specification texts | 6 |

Chimney Cowl SH

Description

Snow and rain can enter an unprotected chimney and allow the humidity to wet the walls. This wetting can decompose the walls and lead to - what is known as - sooting. Low exhaust gas temperatures contribute to this wetting. Because of these low exhaust gas temperatures, the chimney cannot dry out as efficiently. To avoid sooting, the chimney should be protected from the entry of rain and snow.

The SCHAKO chimney cowl offers the necessary protection. **The specially shaped cover plates largely prevent snow or rain, even driving rain from the side, from entering the chimney.** The chimney cowl jacket also has a rain-repellent device in the form of a 0.5 cm high flanged edge, so that the water remaining on the jacket cannot be blown into the chimney by the wind.

Apart from the protection against penetrating humidity, the Schako chimney cowl provides the advantage that **smoke is not forced back into the chimney in rising and falling winds.** The special design supports a **uniform draught**, even in extreme weather condition. The chimney cowl can be manufactured to individual requirements, reducing the installation time so that the time-consuming cutting and bordering at the installation company is not necessary. The chimney cowl and chimney cowl jacket are **made completely of stainless steel** and are therefore long-term resistant to the exhaust air of the chimney and to weather influences.

Mounting

The chimney cowl is fitted with brackets to the chimney head (two M8 screws made of 1.4301 stainless steel and suitable plastic wall dowels are required for each foot, which must be provided by the customer).

When the chimney cowl is delivered with the chimney cowl jacket, the chimney cowl has the chimney cowl jacket screwed to it. The underside of the jacket has a spacer bolt fitted to it, which rests on the chimney. This creates the necessary flow gap. The chimney cowl is fitted to the chimney flashing with a U-shackle (the U-shackle, connecting screws or rivets and rubber seal must be provided by the customer).

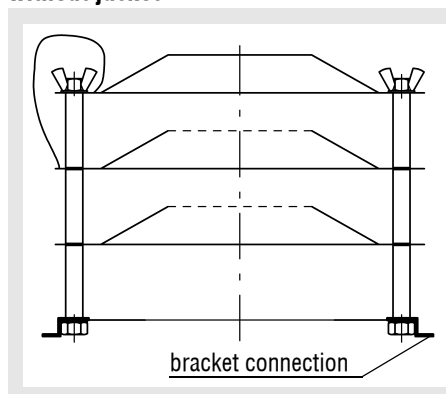
Cleaning

To clean the chimneys, the cover plate fixed with wing nuts can be easily unscrewed by hand. A holding chain (cover protection) prevents the cover plate from falling off.

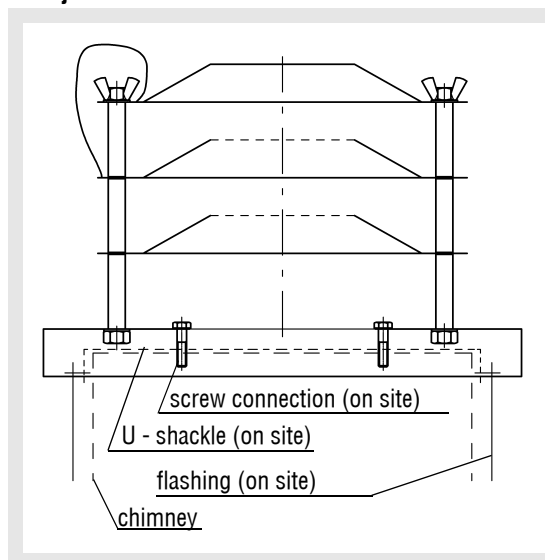
Advantages:

- simple installation
- immediate delivery off-the-shelf
- manufactured completely from stainless steel
- intensified draught even under extreme weather conditions
- large free cross-section avoids exhaust air accumulation
- additional chimney cowl jacket saves installation time
- sophisticated design prevents rain and snow from entering
- removable cover plate allows free entrance to the chimney from above.

without jacket



with jacket



Chimney Cowl SH

Function

The sophisticated design increases the chimney draught. Maximum free cross-section prevents exhaust gas accumulation at the exit of the chimney cowl. Even with extreme weather conditions such as driving rain from the side, moisture is largely prevented from entering.

"Purely protective cover" systems do not prevent humidity from entering to the same extent. An additional rain cover for the "Purely protective cover" substantially reduces the free cross-section, which can lead to exhaust gas accumulation in the area of the chimney cowl.

Construction

Chimney cowl

- Stainless steel 1.4301 (sheet thickness $t = 1.0$ mm)

Chimney cowl jacket

- Stainless steel 1.4301 (sheet thickness $t = 1.0$ mm)

Model

SH-1

- single-duct

SH-2

- twin-duct

Fastening

Screw mounting (-SM)

- Standard, screws must be provided on-site

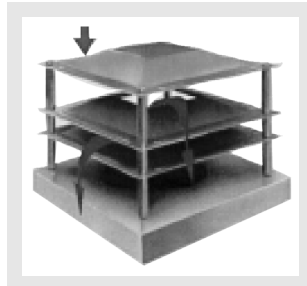
Attention!

We would like to point out that only suitable cleaning materials may be used for cleaning the stainless steel design!

In rainy weather



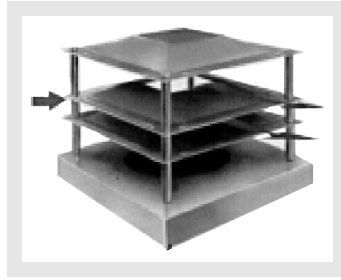
Under downwind conditions



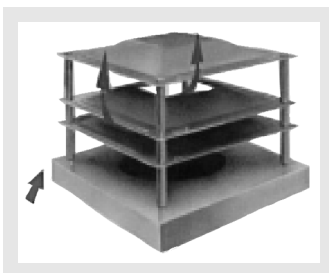
In windless weather



In side wind weather



In upwind weather

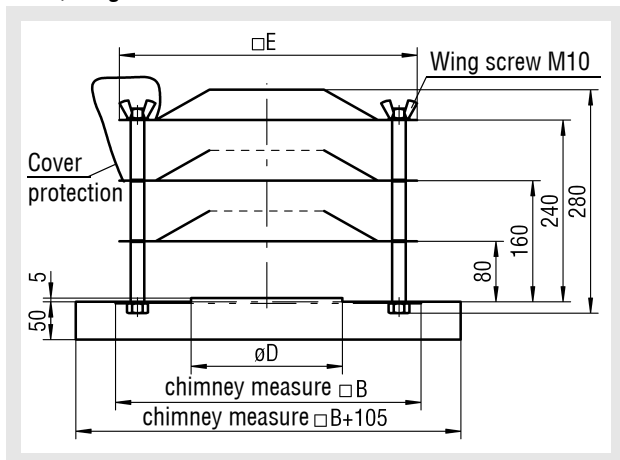


Chimney Cowl SH

Models and dimensions

Dimensions

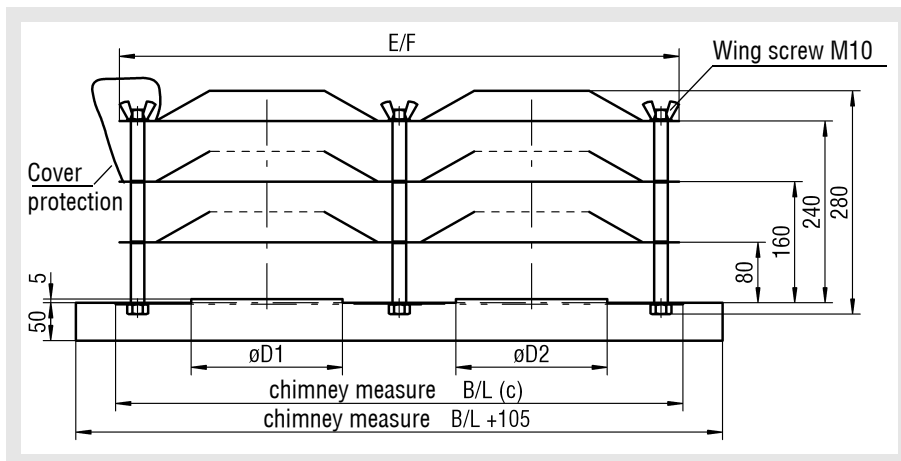
SH-1, single-duct



Available sizes SH-1

| Size | B | E | øD |
|------|-----|-----|-----|
| 300 | 310 | 300 | 120 |
| | 340 | 300 | 140 |
| | 360 | 300 | 160 |
| | 380 | 300 | 180 |
| 390 | 400 | 375 | 200 |
| | 420 | 375 | 220 |
| | 480 | 375 | 250 |
| | 550 | 375 | 300 |
| 500 | 600 | 475 | 350 |
| | 670 | 475 | 400 |

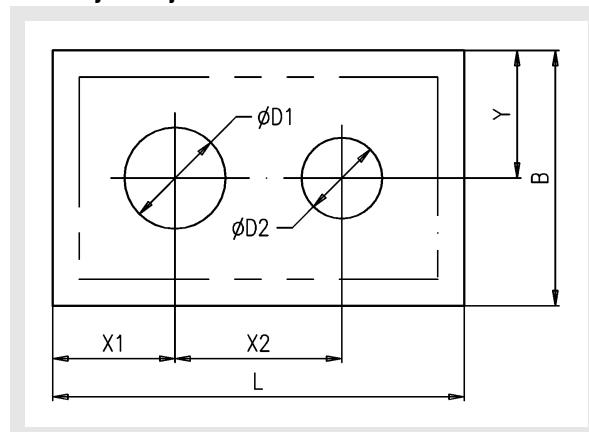
SH-2, twin-duct



Available sizes SH-2

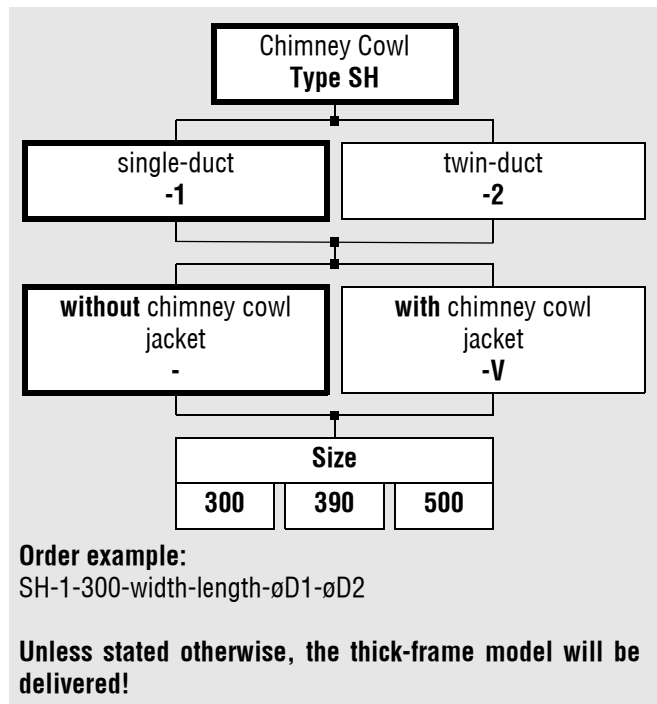
| Size | B | L | E | C | øD1 | øD2 |
|------|-----|------|-----|-----|-----|-----|
| 300 | 340 | 630 | 300 | 570 | 140 | 140 |
| | 380 | 640 | 300 | 570 | 180 | 120 |
| 390 | 360 | 670 | 375 | 720 | 160 | 160 |
| | 380 | 670 | 375 | 720 | 180 | 140 |
| | 400 | 660 | 375 | 720 | 200 | 120 |
| | 400 | 710 | 375 | 720 | 180 | 160 |
| | 400 | 710 | 375 | 720 | 200 | 160 |
| | 400 | 750 | 375 | 720 | 200 | 200 |
| | 420 | 800 | 375 | 720 | 220 | 200 |
| 500 | 480 | 900 | 475 | 920 | 250 | 250 |
| | 550 | 1040 | 475 | 920 | 300 | 300 |

Chimney cowl jacket



Chimney Cowl SH

Order details



Specification texts

Chimney cowl single-duct, consisting of stainless steel 1.4301 (sheet thickness $t = 1.0$ mm)

Product: SCHAKO **type SH-1**

- Twin-duct chimney cowl
Product: SCHAKO type SH-2

Nominal width:

- 300
- 390
- 500

Dimensions:

| | | |
|------------------|---|-------|
| B | = | _____ |
| L | = | _____ |
| \varnothing D | = | _____ |
| \varnothing D1 | = | _____ |
| \varnothing D2 | = | _____ |
| X1 | = | _____ |
| X2 | = | _____ |
| Y | = | _____ |

- Chimney cowl jacket (-V), consisting of stainless steel 1.4301 (sheet thickness $t = 1.0$ mm)