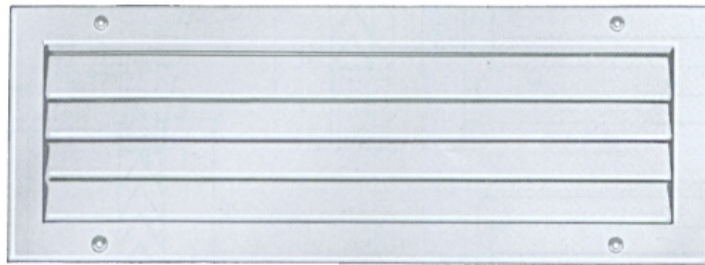




Vision-Proof Transfer Grille

SG-Alu



SCHAKO KG
Steigstraße 25-27
D-78600 Kolbingen
Telephone +49 (0) 74 63 - 980 - 0
Fax +49 (0) 74 63 - 980 - 200
info@schako.de
www.schako.de

Vision-Proof Transfer Grille SG-ALU

Contents

Description	3
Construction	3
Model	3
Accessories	3
Fastening	3
Models and dimensions	3
Dimensions	3
Dimensions of accessories	4
Technical Data	4
Pressure loss and noise level	4
Legend	4
Order details	5
Specification texts	5

Vision-Proof Transfer Grille SG-ALU

Description

Vision-proof transfer grille type SG-ALU especially for **installation in doors or walls**, consisting of cover frames **with inserted overlapping V-shaped profiled blades** for **complete privacy**. A matching frame can be supplied (at an extra charge) to cover the opposite side of the door or wall.

A sheet steel mounting frame can also be supplied upon request (at an extra charge).

Free cross-section, relative to L x H, approximately 37 - 46%

The sheet metal screws to DIN ISO 7051 ST 3.9 x 16 are not included in the delivery.

Construction

Cover frame

- Natural anodised aluminium (E6/EV1)

Blades

- Natural anodised aluminium (E6/EV1)

Model

- SG-ALU - without matching frame
- SG-ALU-GR - with matching frame

Accessories

Mounting frame

- Galvanised sheet steel

matching frame

- Aluminium natural colour anodised E6/EV1
- Aluminum painted to RAL 9010 (white)

Wall anchors

- Galvanised sheet steel

Fastening

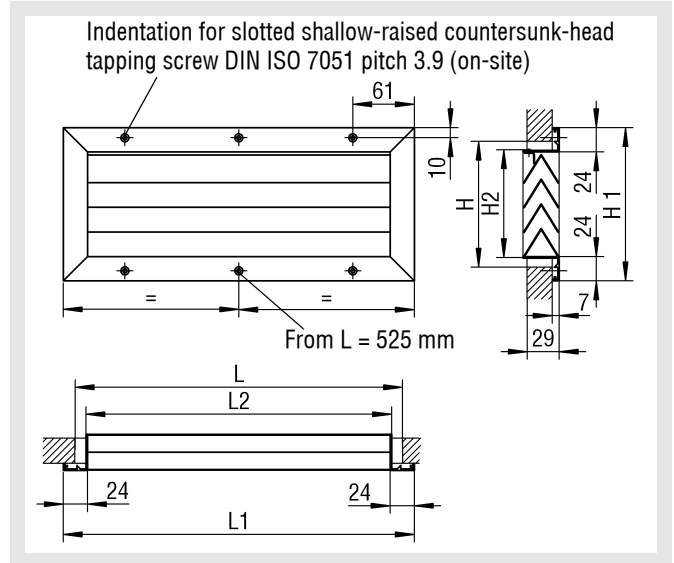
Screw mounting (-SM)

- Standard, screws must be provided on-site

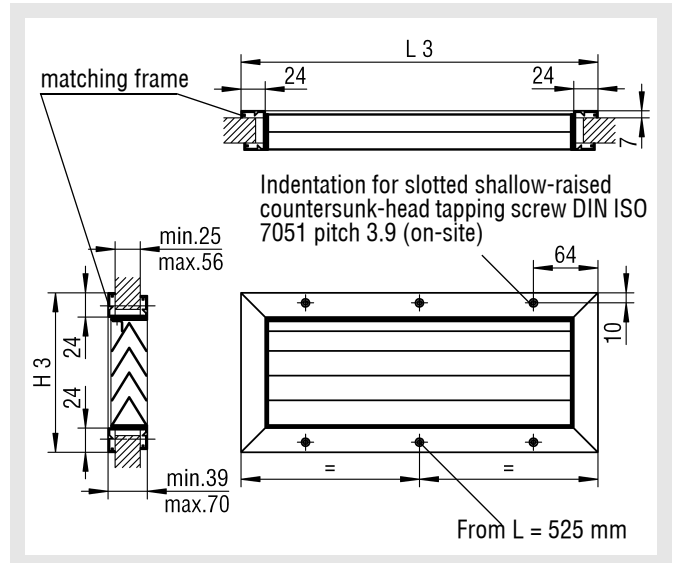
Models and dimensions

Dimensions

SG-ALU



SG-ALU-GR



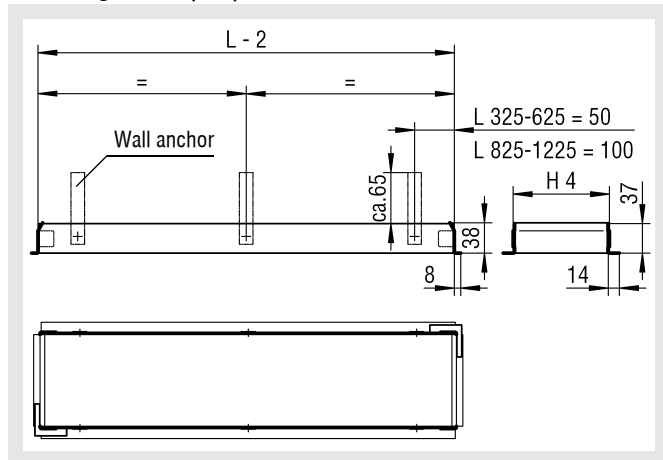
Available sizes

L	L1	L2	L3	H	H1	H2	H3
325	348	304	354	125	152	108	158
425	448	404	454				
525	548	504	554	225	252	208	258
625	648	604	654				
825	848	804	854	325	352	308	358
1025	1048	1004	1054				

Vision-Proof Transfer Grille SG-ALU

Dimensions of accessories

Mounting frame (-E1)

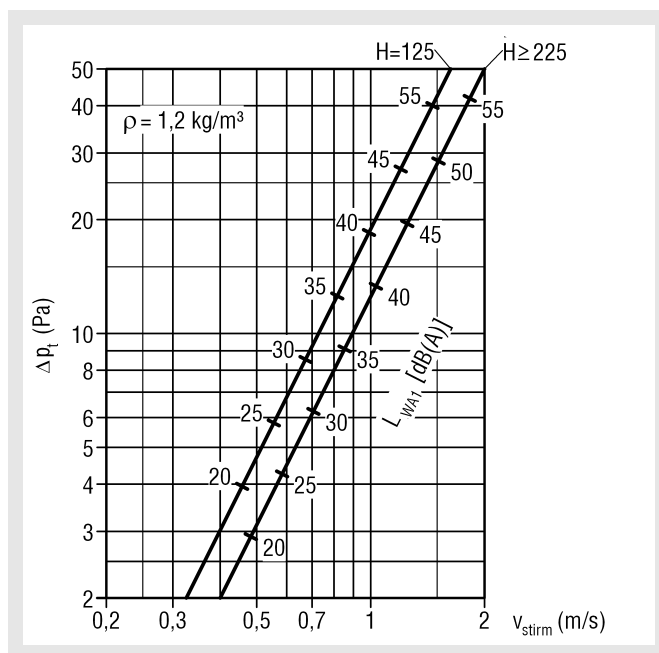


Length $L \leq 825$ mm = 4 wall anchors

Length $L > 825$ mm = 6 wall anchors

Technical Data

Pressure loss and noise level



Correction factor (CF)

A_{face} (m ²)	0,021	0,026	0,033	0,042	0,053	0,066	0,080
CF (-)	-9	-8	-7	-6	-5	-4	-3

A_{face} (m ²)	0,100	0,130	0,160	0,210	0,260	0,333
CF (-)	-2	-1	0	+1	+2	+3

$$L_{WA} = L_{WA1} + CF$$

Face area (A_{face})

H (mm)	L (mm)					
	325	425	525	625	825	1025
125	0,0312	0,0416	0,0520	0,0624	0,0832	0,1040
225	0,0612	0,0816	0,1020	0,1224	0,1632	0,2040
325	0,0912	0,1216	0,1520	0,1824	0,2432	0,3040
A_{face} (m ²)						

Free cross-section FQ

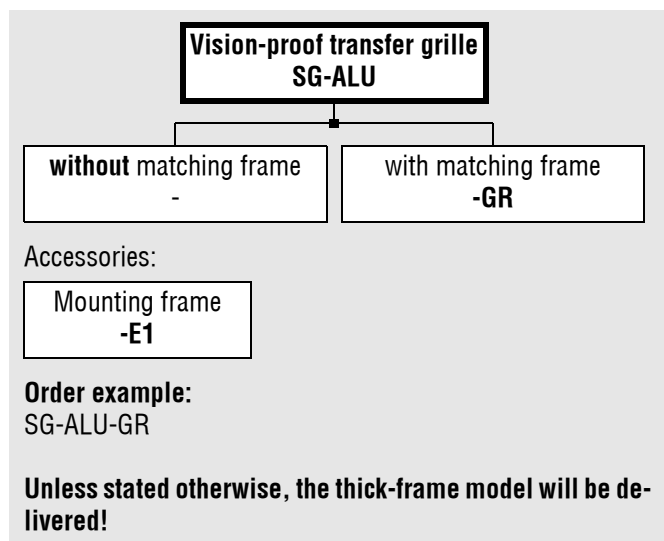
H (mm)	L (mm)					
	325	425	525	625	825	1025
125	0,0116	0,0155	0,0193	0,0232	0,0309	0,0386
225	0,0270	0,0361	0,0451	0,0541	0,0721	0,0902
325	0,0425	0,0567	0,0708	0,0850	0,1133	0,1417
FQ (m ²)						

Legend

- v_{face} (m/s) = Intake velocity, blower stream velocity, out-flow velocity, relative to A_{face}
- Δp_t (Pa) = Pressure loss
- ρ (kg/m³) = Density
- L_{WA1} [dB(A)] = A-weighted sound power level, relative to $A_{face} = 0.160 \text{ m}^2$
- L_{WA} [dB(A)] = A-weighted sound power level ($L_{WA} = L_{WA1} + CF$)
- A_{face} (m²) = Face area
- FQ (m²) = Free cross-section
- CF (-) = Correction factor
- L (mm) = Length
- H (mm) = Height

Vision-Proof Transfer Grille SG-ALU

Order details



Specification texts

Vision-proof transfer grille type SG-ALU especially for installation in doors or walls, consisting of cover frames with inserted overlapping V-shaped profiled blades made of natural anodised aluminium (E6/EV1).

Product: SCHAKO type **SG-ALU**

Accessories:

- Matching frame (-GR) made of natural anodised aluminium (E6/EV 1).
- Mounting frame (-E1), comprising electrolytically galvanised sheet steel.
 - with wall anchors