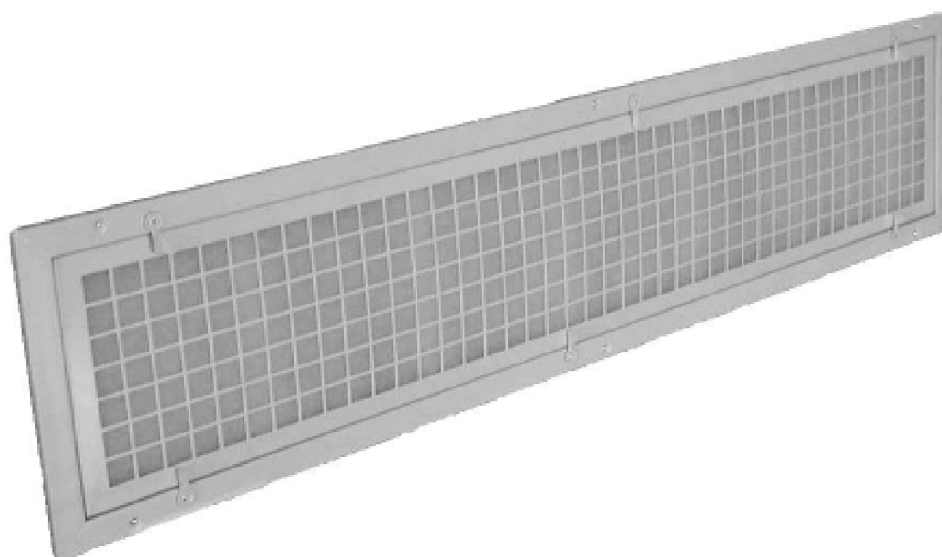




Filter Gitter

RF



SCHAKO KG
Steigstraße 25-27
D-78600 Kolbingen
Telephone +49 (0) 74 63 - 980 - 0
Fax +49 (0) 74 63 - 980 - 200
info@schako.de
www.schako.de

Filter Grille RF

Contents

Description	3
Construction	3
Accessories	3
Fastening	3
Models and dimensions	4
Dimensions	4
Dimensions of accessories	4
Technical Data	5
Pressure loss and noise level	5
Legend	5
Specification texts	5

Filter Grille RF

Description

Return air grille with inserted, changeable filter insert (EU4).

The filter insert is easy to take out for cleaning by turning the sash locks.

Construction

Cover frame

- Sheet steel painted to RAL 9010 (white)

Filter insert

- Dry filter mat EU4

Filter insert grille

- Sheet steel painted to RAL 9010 (white)

Frame

- Sheet steel painted to RAL 9010 (white)

Sash lock

- Sheet steel painted to RAL 9010 (white)

Accessories

Mounting frame (-ER)

- Electrolytically galvanised sheet steel

Fastening

Screw mounting (-SM)

- Standard, screws must be provided on-site

Concealed mounting (-VM)

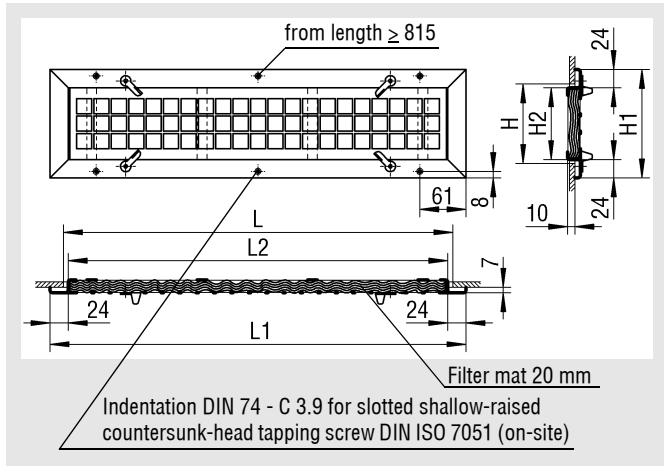
- not possible!

Filter Grille RF

Models and dimensions

Dimensions

RF



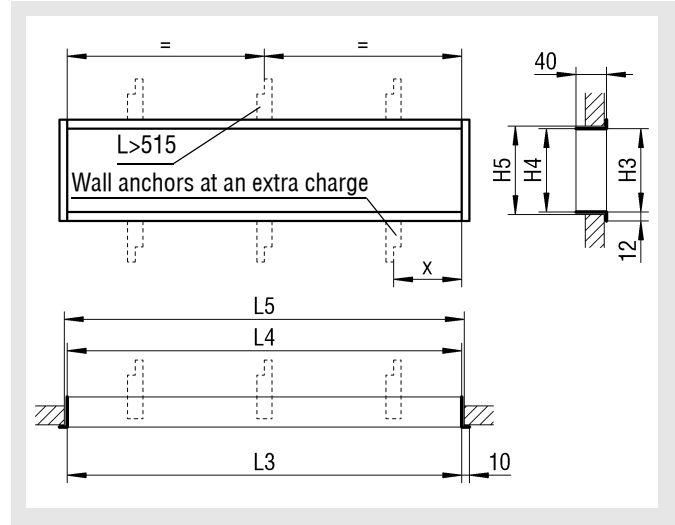
Available sizes

L	L1	L2	H	H1	H2
315	350	304	105	143	97
515	550	504	205	243	197
815	850	804	305	343	297
1015	1050	1004			

All lengths and heights can be combined!

Dimensions of accessories

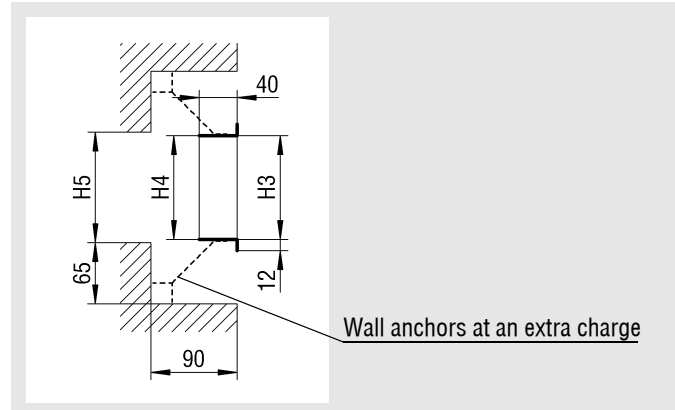
Mounting frame (-ER)



Number of wall anchors

Height: no wall anchors
 Length: $L \leq 515$ 2 wall anchors per side
 $L > 515$ 3 wall anchors per side

Fitting detail



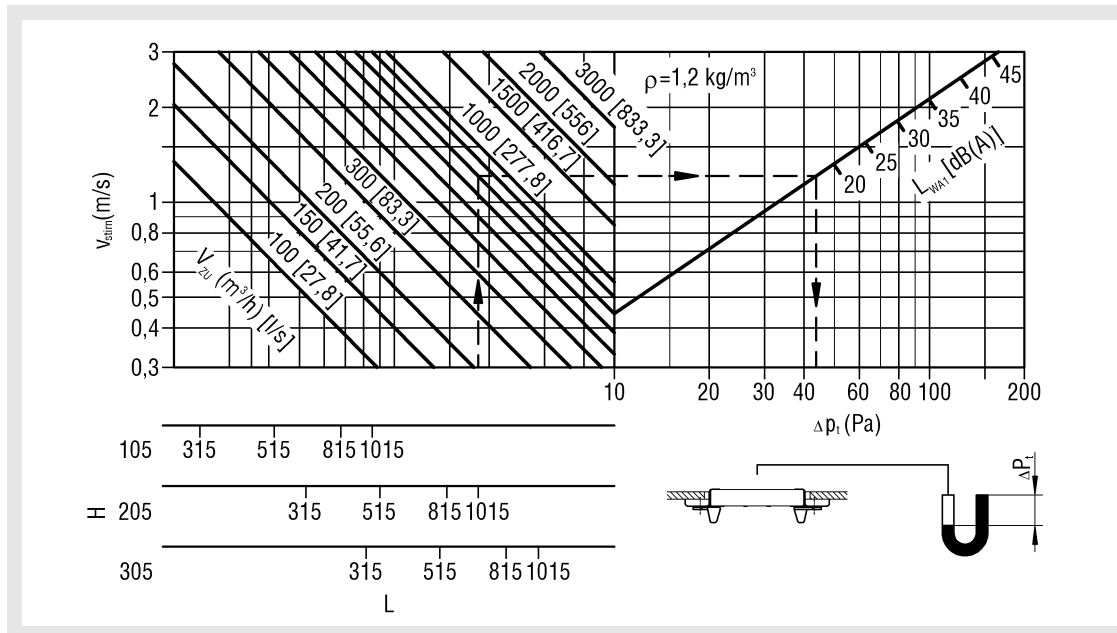
Available sizes of the mounting frame

L	L3	L4	L5	x	H	H3	H4	H5
315	321	323	325	50	105	110	115	117
515	521	523	525	100	205	210	215	217
815	821	823	825	100	305	310	315	317
1015	1021	1023	1025	100				

Filter Grille RF

Technical Data

Pressure loss and noise level



Face area (m²)

H (mm)	L (mm)			
	315	515	815	1015
105	0,025	0,042	0,067	0,083
205	0,053	0,090	0,146	0,183
305	0,082	0,139	0,225	0,282

Correction factor

A _{face} (m²)	0,017	0,033	0,066	0,132	0,265	0,529
KF (-)	-3	0	+3	+6	+9	+12

$$L_{WA} = L_{WA1} + KF$$

Legend

V_{ZU}	(m³/h)	= Supply air volume
V_{ZU}	[l/s]	= Supply air volume
v_{face}	(m/s)	= Intake velocity, blower stream velocity, outflow velocity, relative to A_{face} (L-26 / H-25)
A_{face}	(m²)	= Face area
ρ	(kg/m³)	= Density
Δp_t	(Pa)	= Pressure loss
L_{WA1}	[dB(A)]	= A-weighted sound power level, relative to face area = 0.33 m²
L_{WA}	[dB(A)]	= A-weighted sound power level ($L_{WA} = L_{WA1} + KF$)
KF	[dB(A)]	= Correction factor
H	(mm)	= Height
L	(mm)	= Length

Specification texts

Return air filter grilles consist of frame, dry filter mat (EU4) and fitted, changable filter grille insert made of painted sheet steel in RAL 9010 (white).

Fastening by means of screw mounting (SM).

Product: SCHAKO **type RF**

Accessories:

- Mounting frame (-ER) consisting of electrolytically galvanised sheet steel