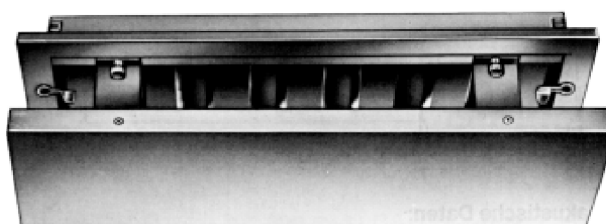
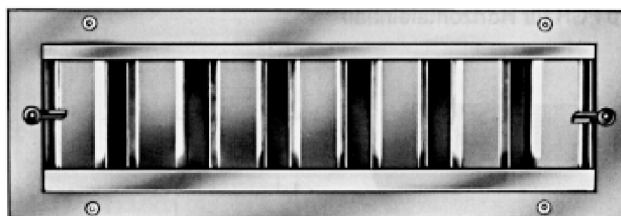




Grease Trap Grille

FGH / FGV



SCHAKO KG
Steigstraße 25-27
D-78600 Kolbingen
Telephone +49 (0) 74 63 - 980 - 0
Fax +49 (0) 74 63 - 980 - 200
info@schako.de
www.schako.de

Grease Trap Grille Model FGH / FGV

Contents

Description	3
Construction	3
Model	3
Accessories	3
Fastening	3
Models and dimensions	4
Dimensions	4
Dimensions of accessories	5
Fastening methods	5
Technical Data	6
Pressure loss and noise level	6
Legend	6
Specification texts	6

Grease Trap Grille Model FGH / FGV

Description

Grease trap grille **made of natural colour anodised aluminium for wall or ceiling installation with inserted, replaceable grease trap grille insert in special design.**

The grille insert can be easily taken out for cleaning by turning the sash lock.

Construction

Grease trap collector

- Aluminium natural colour anodised E6/EV1

Grille insert

- Aluminium natural colour anodised E6/EV1

Frame

- Aluminium natural colour anodised E6/EV1

Model

FGH - Filter grille for installation in ceilings

FGV - Filter grille for installation in walls

Accessories

Mounting frame (-E1)

- Electrolytically galvanised sheet steel

Fastening

Screw mounting (-SM)

- Standard, screws must be provided on-site

Concealed mounting (-VM)

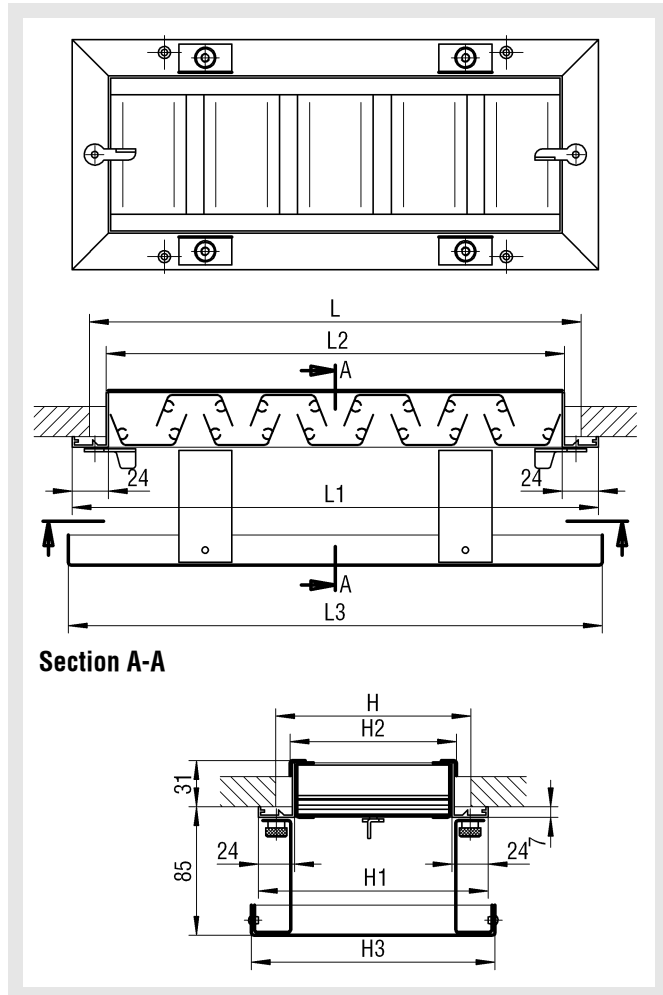
- not possible!

Grease Trap Grille Model FGH / FGV

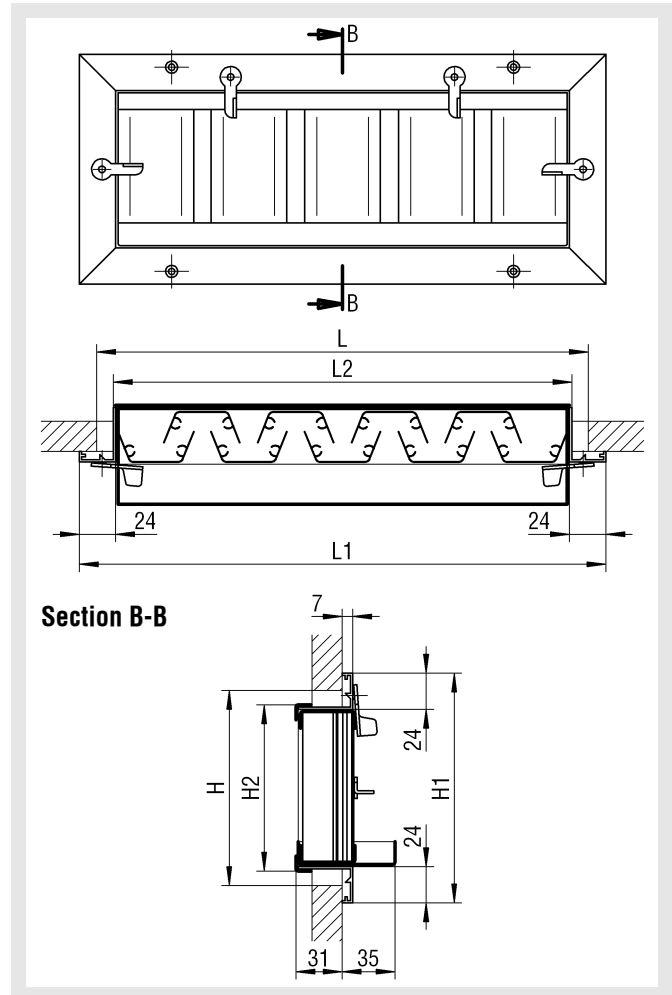
Models and dimensions

Dimensions

FGH



FGV



Available sizes FGH / FGV

L	L1	L2	L3	H	H1	H2	H3
325	348	304	353	125	152	110	157
525	548	504	553	225	252	210	257
825	848	804	853	325	352	310	357

Size selection FGH / FGV

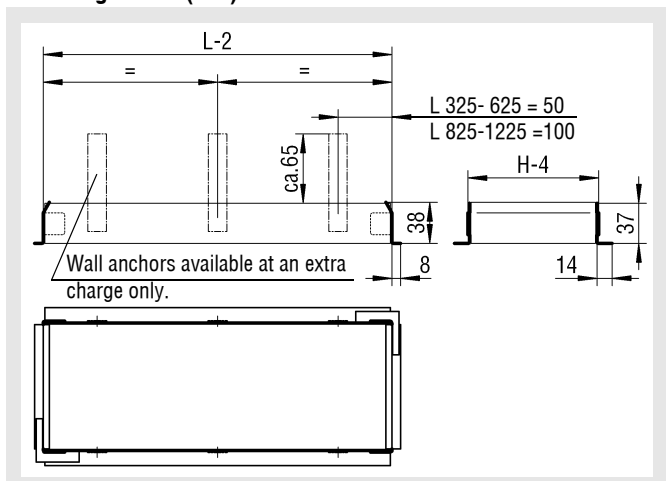
	H		
	125	225	325
325	X	X	X
525	X	X	X
825	X	X	X
1025	-	X	X

X = Available sizes
- = not available

Grease Trap Grille Model FGH / FGV

Dimensions of accessories

Mounting frame (-E1)



Number of wall anchors

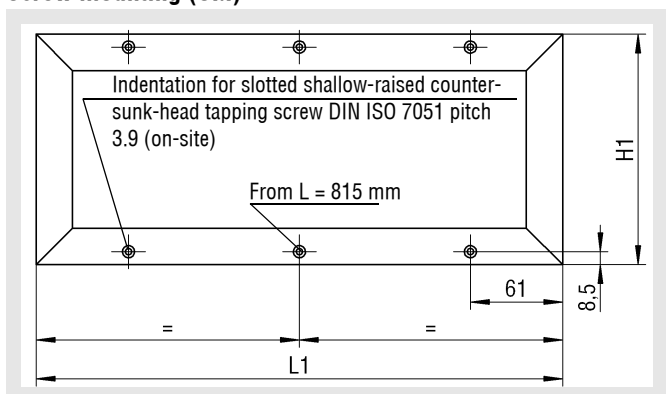
Height: no wall anchors

Length: $L \leq 825$ = 2 wall anchors per side

$L > 825$ = 3 wall anchors per side

Fastening methods

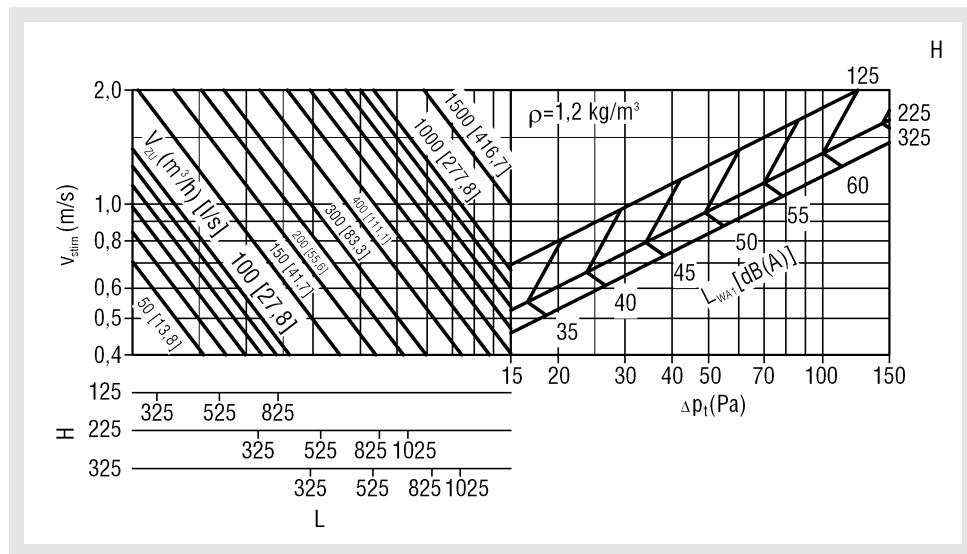
Screw mounting (SM)



Grease Trap Grille Model FGH / FGV

Technical Data

Pressure loss and noise level



Correction factor KF [dB(A)]

	L			
	325	525	825	1025
125	-2	0	+2	-
225	-2	0	+2	+3
325	-2	0	+2	+3
KF				

$$L_{WA} = L_{WA1} + CF$$

Legend

V_{ZU}	(m^3/h)	= Supply air volume
V_{ZU}	[l/s]	= Supply air volume
v_{stirn}	(m/s)	= Intake velocity, blower stream velocity, outflow velocity, relative to A_{stirn}
ρ	(kg/m^3)	= Density
Δp_t	(Pa)	= Pressure loss
L_{WA}	[dB(A)]	= A-weighted sound power level [$L_{WA} = L_{WA1} + CF$]
L_{WA1}	[dB(A)]	= A-weighted sound power level, relative to $L = 525$
CF	(-)	= Correction factor
H	(mm)	= Height
L	(mm)	= Length

Specification texts

Grease trap grille for ceiling installation consisting of frame, grease trap collector and inserted, replaceable grille insert made of natural colour anodised aluminium (E6/EV1).
Fastening with screw mounting (SM).
Product: SCHAKO type FGH

- for wall mounting
Product: SCHAKO type FGV

Accessories:

- Mounting frame (-E1), comprising electrolytically galvanised sheet steel.