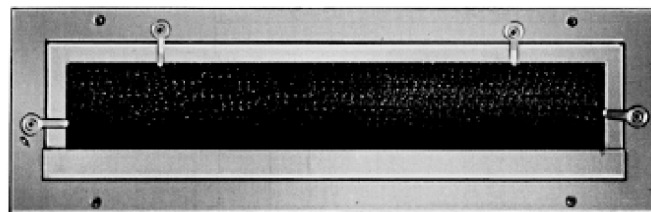
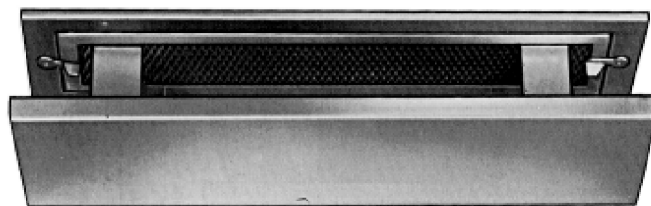


Grease Trap Grille

FD / FW



SCHAKO KG
Steigstraße 25-27
D-78600 Kolbingen
Telephone +49 (0) 74 63 - 980 - 0
Fax +49 (0) 74 63 - 980 - 200
info@schako.de
www.schako.de

Grease Trap Grille FD / FW

Contents

Description	3
Construction	3
Model	3
Accessories	3
Fastening	3
Models and dimensions	4
Dimensions	4
Dimensions of accessories	5
Fastening methods	5
Technical Data	6
Pressure loss and noise level	6
Legend	6
Specification texts	6

Grease Trap Grille FD / FW

Description

Grease trap grille **made of sheet steel painted to RAL 9010 (white) for wall or ceiling installation with inserted, replaceable grease trap grille insert.**

The aluminium mesh (15 mm) grease collecting mat can be easily taken out by turning the sash locks.

Cleaning

The grease trap collector on the grease trap grille type FD is unscrewed from the frame by loosening the knurled screws. The grease collecting mat can then be taken out of the frame by turning the sash locks.

With the grease trap grille type FW, the grease trap collector can be taken out of the frame together with the grease collection mat by turning the sash locks.

The grease trap filter can be cleaned simply in hot water solution and used again.

Construction

Grease collection mat

- Aluminium mesh (15 mm).

Grease trap collector

- Sheet steel painted to RAL 9010 (white)

Frame

- Sheet steel painted to RAL 9010 (white)

Model

FD - for ceiling installation

FW - for wall mounting

Accessories

Mounting frame (-ER)

- Electrolytically galvanised sheet steel

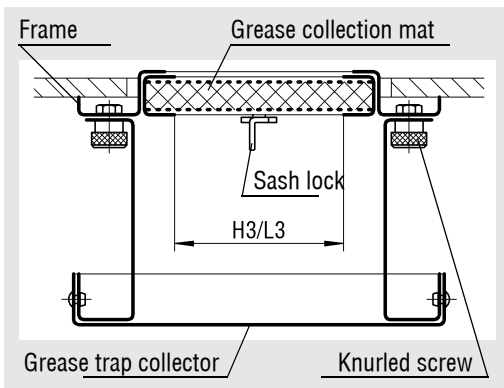
Fastening

Screw mounting (-SM)

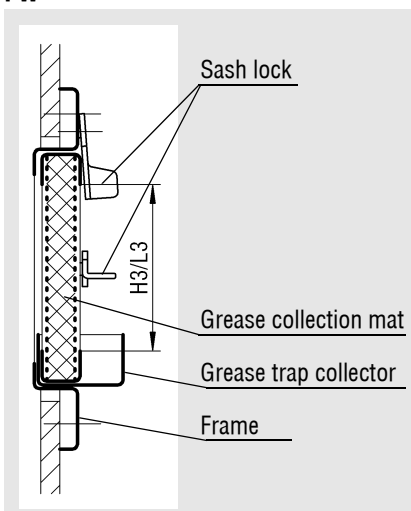
- Standard, screws must be provided on-site

Concealed mounting (-VM)

- not possible!



FW

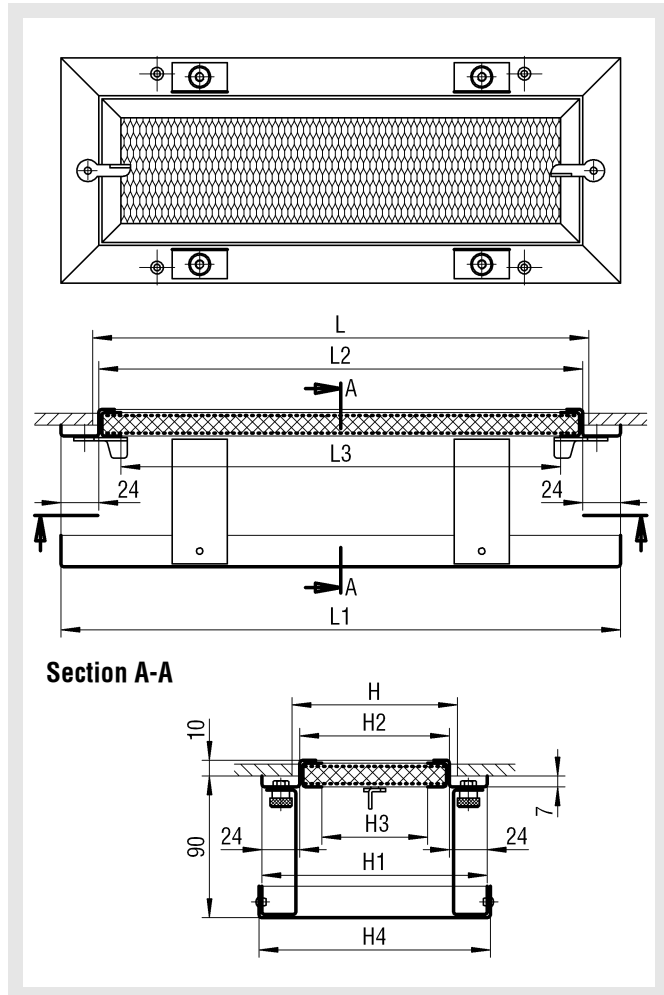


Grease Trap Grille FD / FW

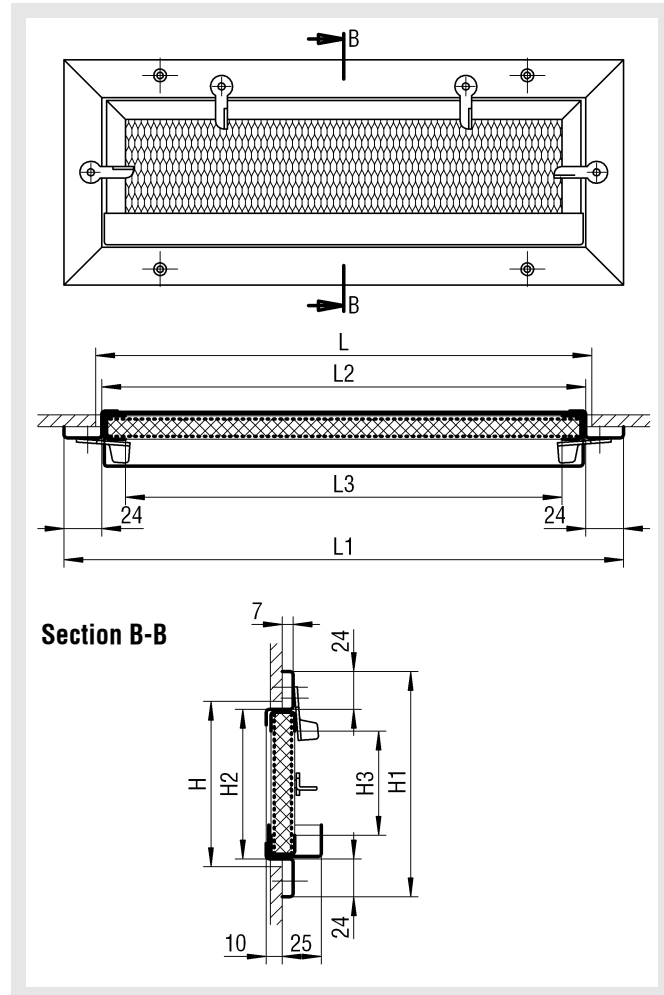
Models and dimensions

Dimensions

FD



FW



Available sizes FD / FW

L	L1	L2	L3	H	H1	H2	H3	H4
315	355	304	276	105	143	97	68	147
515	555	504	476	205	243	197	168	247
815	855	804	776	305	343	297	268	347

Special sizes not possible.

Size selection FD / FW

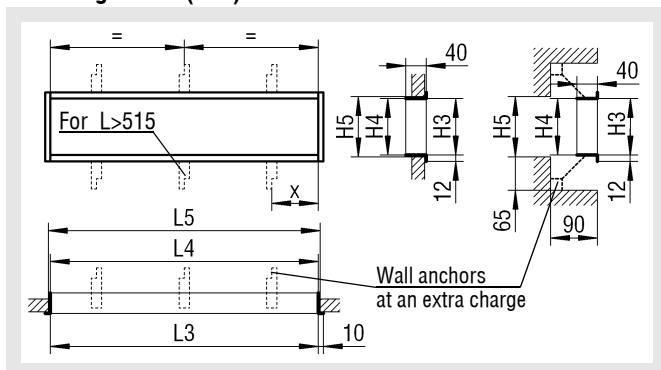
	H		
	105	205	305
315	X	X	X
515	X	X	X
815	X	X	X
1015	-	X	X

X = Available sizes
- = not available

Grease Trap Grille FD / FW

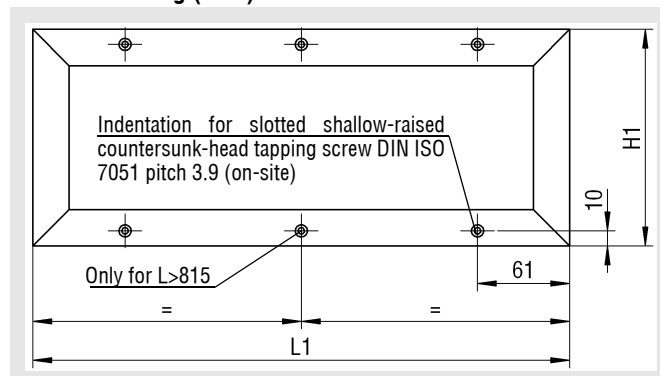
Dimensions of accessories

Mounting frame (-ER)



Fastening methods

Screw mounting (-SM)



Number of wall anchors

Height: no wall anchors

Length: $L \leq 515 = 2$ wall anchors per side

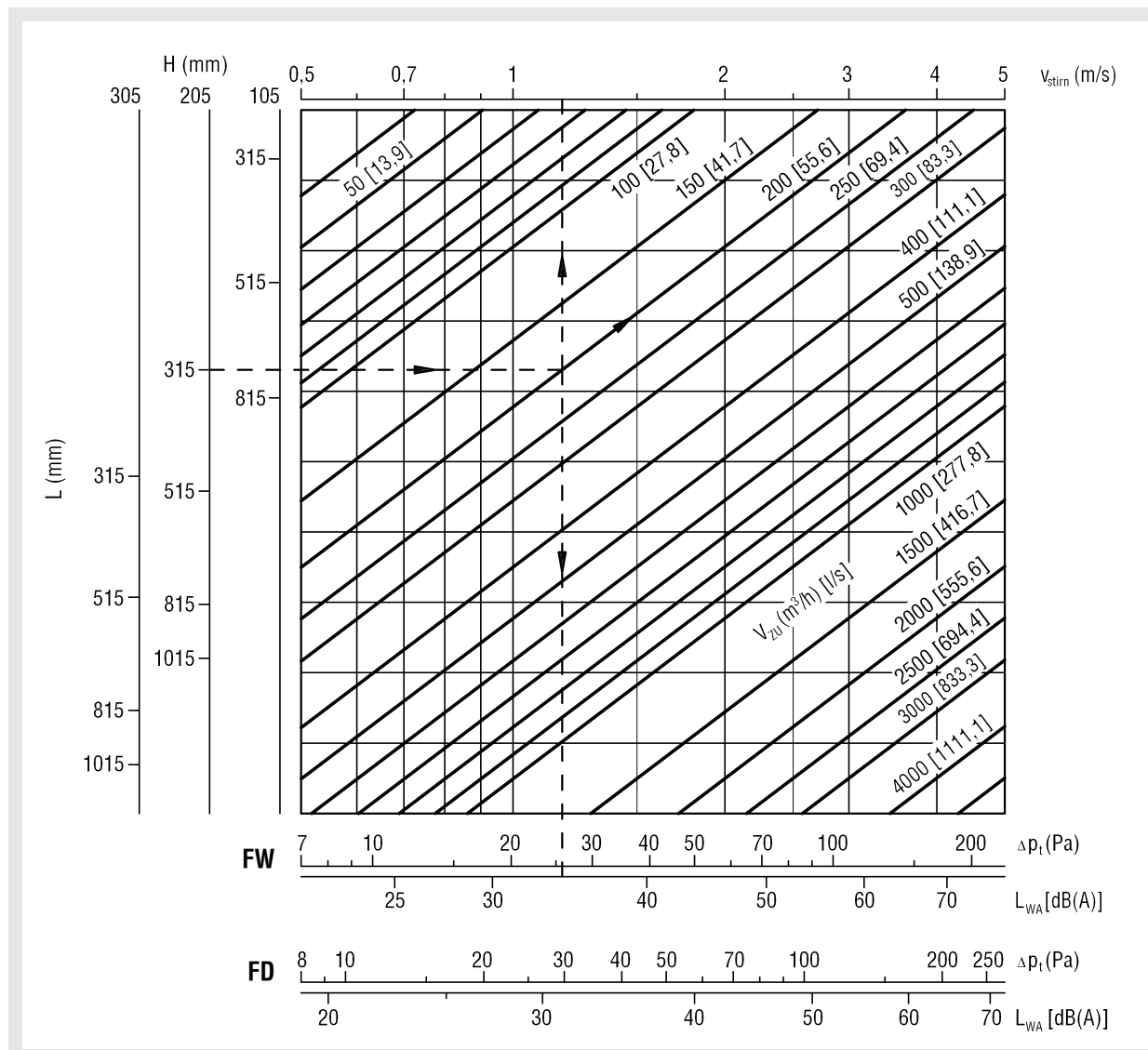
$L > 515 = 3$ wall anchors per side

L	L3	L4	L5	x	H	H3	H4	H5
315	321	323	325	50	105	110	115	117
515	521	523	525	100	205	210	215	217
815	821	823	825	100	305	310	315	317
1015	1021	1023	1025	100				

Grease Trap Grille FD / FW

Technical Data

Pressure loss and noise level



The air velocities v_{face} (m/s) are based on $L3 \times H3$. To achieve optimum grease collection, the air velocity should be between 1 and 2 m/s.

Legend

V_{ZU} (m^3/h)	=	Supply air volume
V_{ZU} [l/s]	=	Supply air volume
v_{stirn} (m/s)	=	Intake velocity, blower stream velocity, out-flow velocity, relative to A_{Stirn} ($A_{stirn} = L3 \times H3$)
Δp_t (Pa)	=	Pressure loss
L_{WA} [dB(A)]	=	A-weighted sound power level
H (mm)	=	Height
L (mm)	=	Length

Specification texts

Grease trap grille for ceiling installation, comprising frame and grease trap collector made of sheet steel painted to RAL 9010 (white) with integrated, replaceable grease collection mat made of aluminium mesh (15 mm). Fastening with screw mounting (SM).

Product: SCHAKO **type FD**

- for wall mounting
Product: SCHAKO **type FW**

Accessories:

- Mounting frame (-ER) consisting of electrolytically galvanised sheet steel