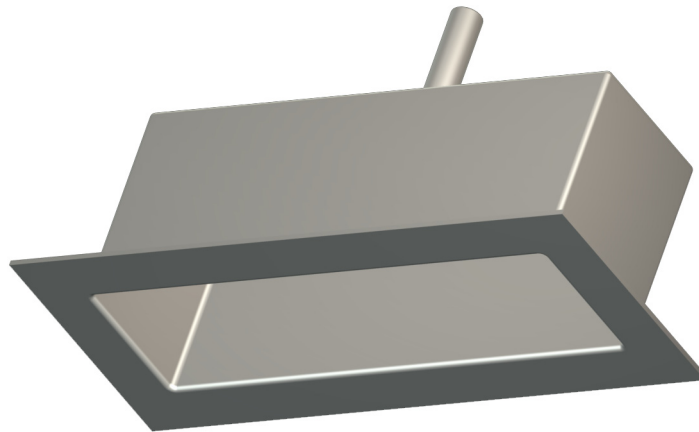




Pressure Measurement Box

FBS



SCHAKO KG
Steigstraße 25-27
D-78600 Kolbingen
Phone +49 (0) 74 63 - 980 - 0
Fax +49 (0) 74 63 - 980 - 200
info@schako.de
www.schako.de

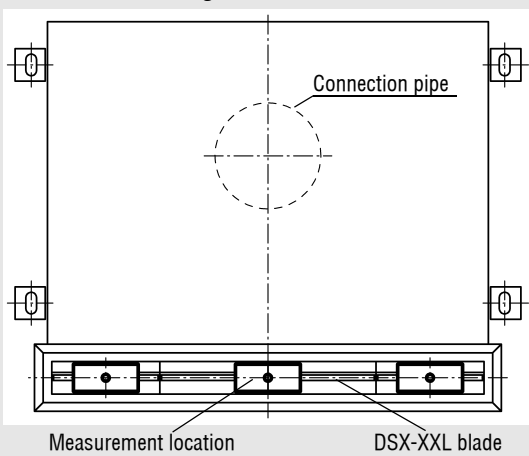
Pressure Measurement Box FBS

Volumetric flow measurement at the floor slot diffuser type FBS (Pressure measurement box)

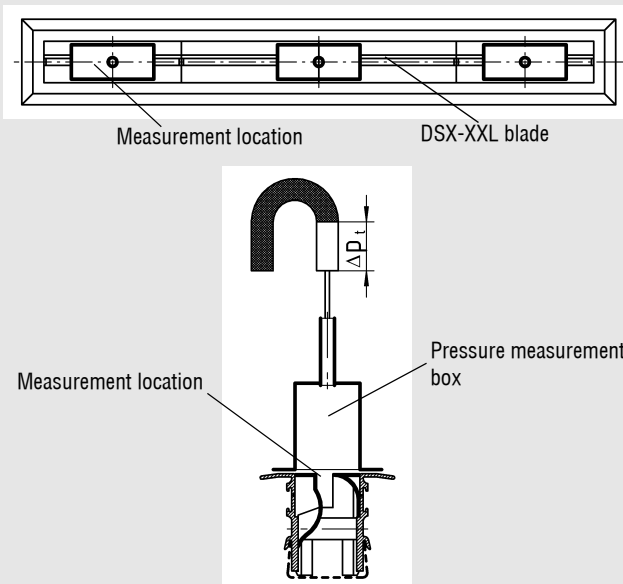
It is often no longer possible to perform a volumetric flow measurement at the connecting pipe in the floor cavity. The pressure measurement box is available to address this requirement. The pressure measurement box is connected to a suitable measurement instrument such as an inclined tube pressure gauge. The box is then pressed against the measurement points shown below of the diffuser and the pressure measured at the gauge. An average value is calculated from the sum of the individual measurements. On the diagram, the volumetric flow can now be read.

Measurement points

for FBS-AUDIX length 500mm/1000mm

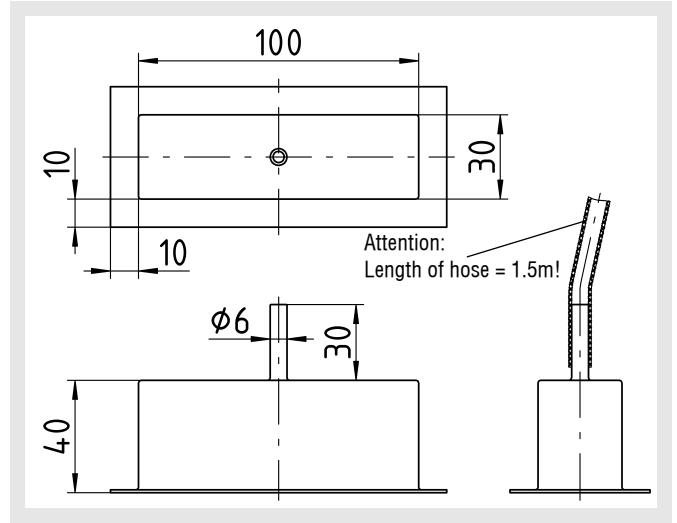


for FBS-SS length 500mm/1000mm



Dimensions

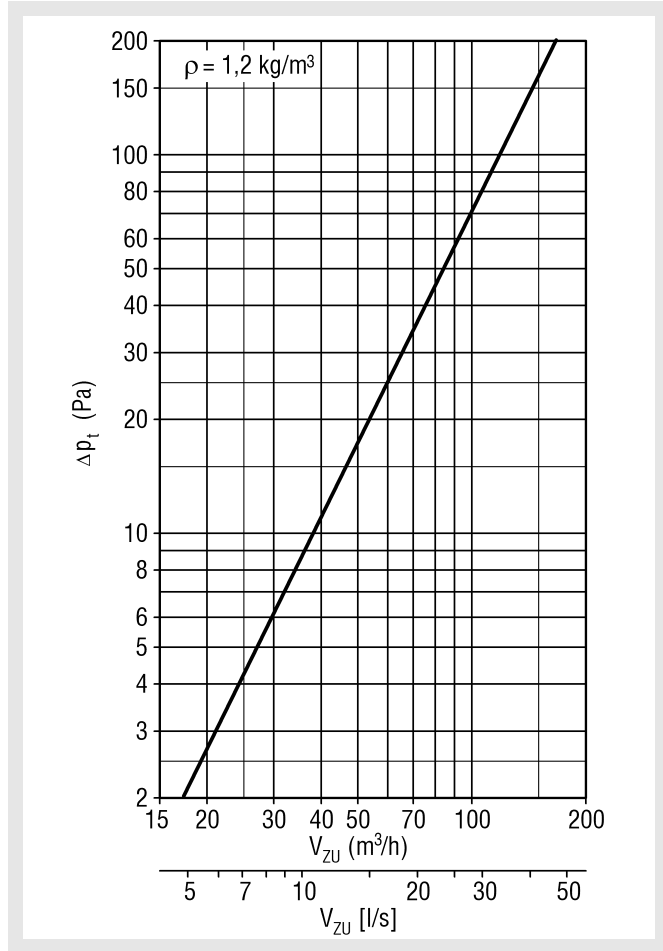
Pressure measurement box



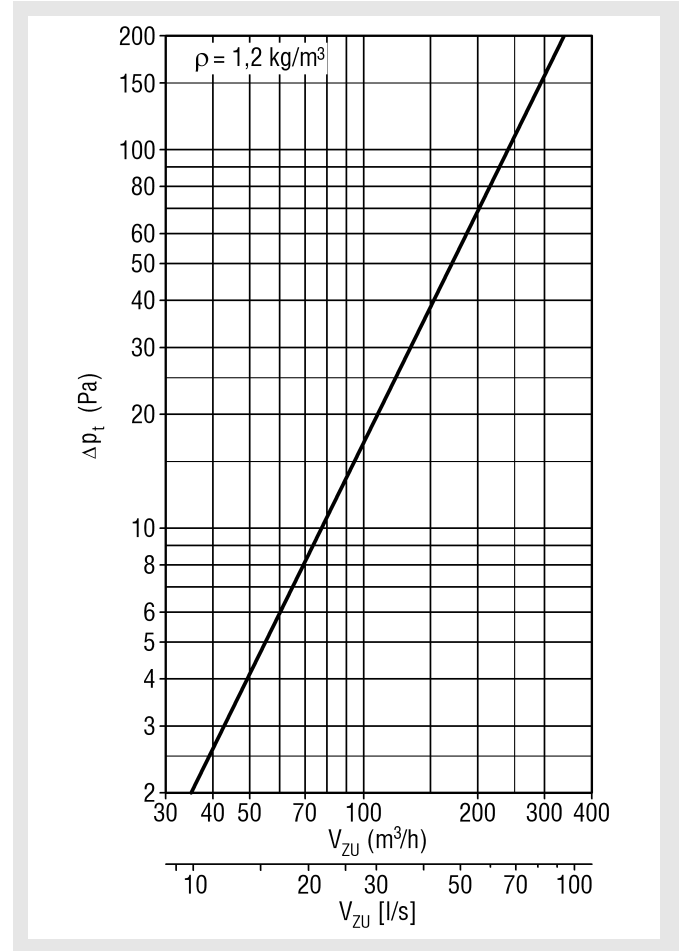
Pressure Measurement Box FBS

Pressure loss

FBS, L=500mm



FBS, L=1000mm



Legend

- Δp_t (Pa) = Pressure loss
- V_{ZU} (m³/h) = Supply air volume
- V_{ZU} [l/s] = Supply air volume
- ρ (kg/m³) = Density