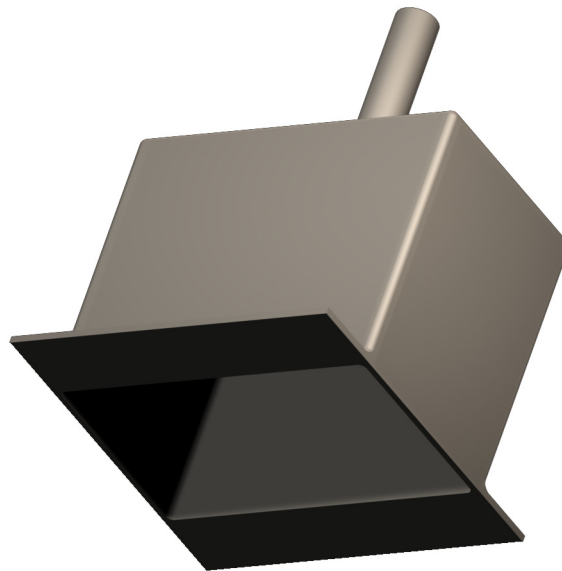




# Pressure Measurement Box

## DQJA-SQ



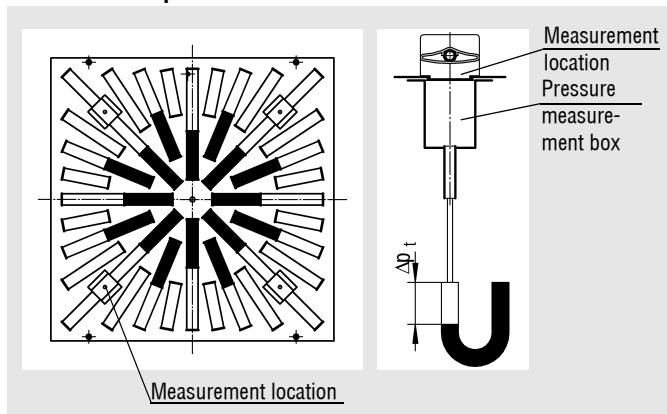
SCHAKO KG  
Steigstraße 25-27  
D-78600 Kolbingen  
Phone +49 (0) 74 63 - 980 - 0  
Fax +49 (0) 74 63 - 980 - 200  
[info@schako.de](mailto:info@schako.de)  
[www.schako.de](http://www.schako.de)

## Pressure Measurement Box DQJA-SQ

### Volumetric flow measurement at the swirl diffuser type DQJA-SQ

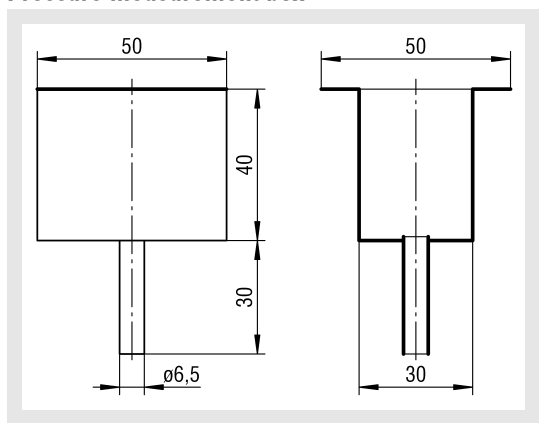
It is often no longer possible to perform a volumetric flow measurement at the connecting pipe in the ceiling cavity. The pressure measurement box is available to address this requirement. The pressure measurement box is connected to a suitable measurement instrument such as an inclined tube pressure gauge. The box is then pressed against the measurement points shown below of the diffuser and the pressure measured at the gauge. An average value is calculated from the sum of these four individual measurements. On the diagram, the volumetric flow can now be read.

### Measurement points



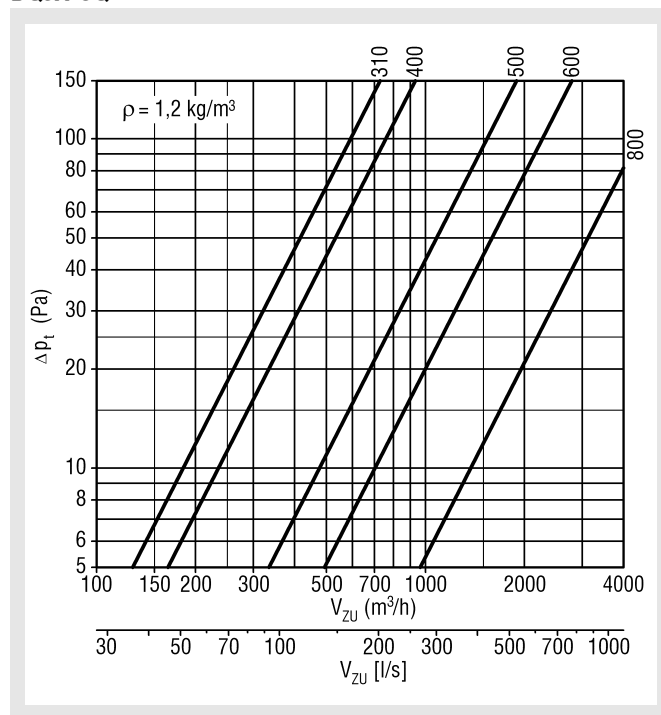
## Dimensions

### Pressure measurement box



## Pressure loss

### DQJA-SQ



## Legend

- $\Delta p_t$  (Pa) = Pressure loss
- $V_{zu}$  (m<sup>3</sup>/h) = Supply air volume
- $V_{zu}$  [l/s] = Supply air volume
- $\rho$  (kg/m<sup>3</sup>) = Density