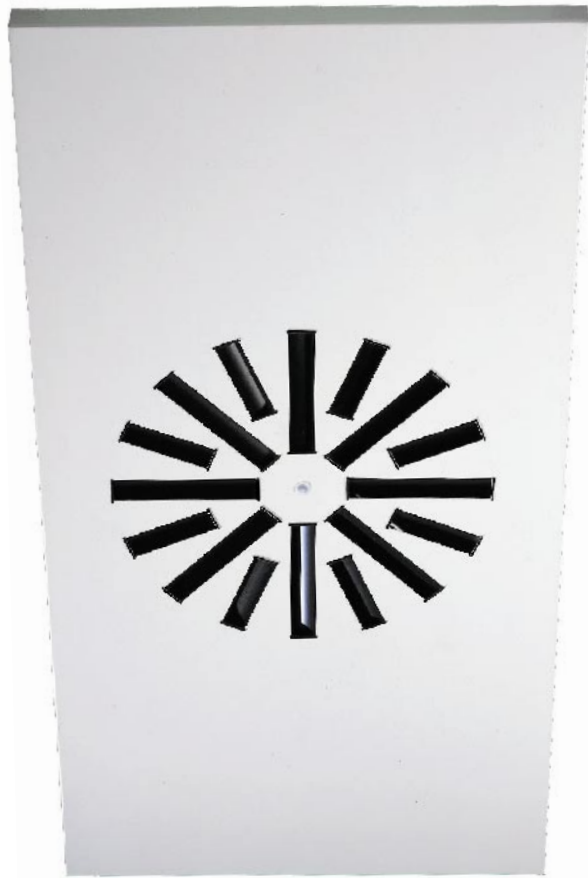




Ceiling Swirl Diffuser in panelled ceilings DQJ-SR-P



Ferdinand Schad KG
Steigstraße 25-27
D-78600 Kolbingen
Phone +49 (0) 74 63 - 980 - 0
Fax +49 (0) 74 63 - 980 - 200
info@schako.de
www.schako.de

Ceiling Swirl Diffuser in Panelled Ceilings DQJ-SR-P

Contents

Description	3
Construction	3
Accessories	3
Fastening	3
Models and dimensions	4
Dimensions	4
Dimensions of accessories	5
Fastening methods	6
Specification texts	7

Ceiling Swirl Diffuser in Panelled Ceilings DQJ-SR-P

Description

This diffuser is particularly suitable **for installation in panelled ceilings**. The faceplate is the same size as the individual panels. This gives the ceiling overall a harmonic appearance. The diffuser is used especially for **comfort rooms**. The blades are fully adjustable at a later stage.

By lifting the horizontal throw blades, the jets are lowered toward the vertical direction. Thus, the jet can be forced to a vertical throw, which facilitates its detachment from the ceiling.

Various throw patterns can be set ex works. If not stated otherwise, air throw pattern "B" will be ex works.

This makes this diffuser also suitable for systems with variable volumetric flow. A stable air jet is guaranteed by the high out-flow velocities, thus ensuring that the air jet does not become detached abruptly from the ceiling at small volumetric flows.

Special model

For special perforations, the standard hole in the blade for adjusting throttle damper can also be placed in the faceplate.

For additional technical data, blade adjustment possibilities and special blade settings, please refer to the documentation of swirl diffuser type DQJA-SR.

Construction

Faceplate

- Sheet steel painted to RAL 9010 (white)
- Sheet steel painted to a different RAL colour (at an extra charge)

Blades

- Plastic, RAL colour 9010 (white) or RAL 9005 (black)
- Aluminium painted to the RAL colour of the faceplate (blades cannot be adjusted subsequently)

Accessories

Plenum box

- Galvanised sheet steel

Throttle damper (-DK)

- Damper made of galvanised sheet steel
- Damper fastening made of plastic

Volumetric flow meter (-VME)

- Mounting made of galvanised sheet steel
- Measuring sensor made of plastic
- Aluminium connections.

Internal insulation (-li)

- Thermal insulation inside the plenum box

External insulation (-la)

- Thermal insulation on the outside of the plenum box

Fastening

Screw mounting (-SM)

- with 4 on-site slotted shallow-raised, countersunk-tapping head screws, standard for NW 310 to 625 (not possible for NW 800)

Concealed mounting (-VM)

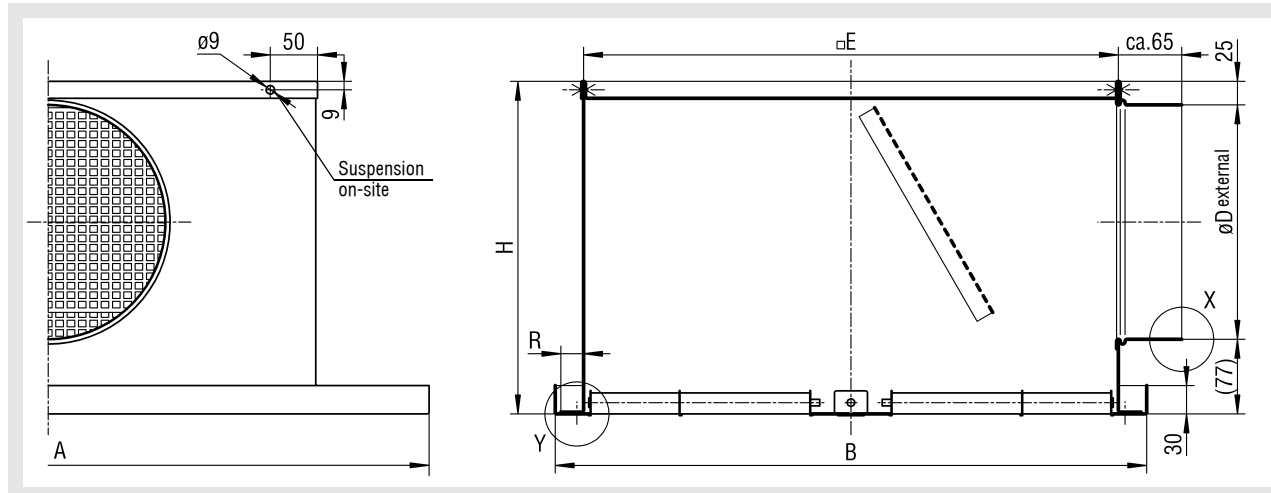
- Pole brace fixing (at an extra charge) only available with plenum box (standard for NW 800)

Ceiling Swirl Diffuser in Panelled Ceilings DQJ-SR-P

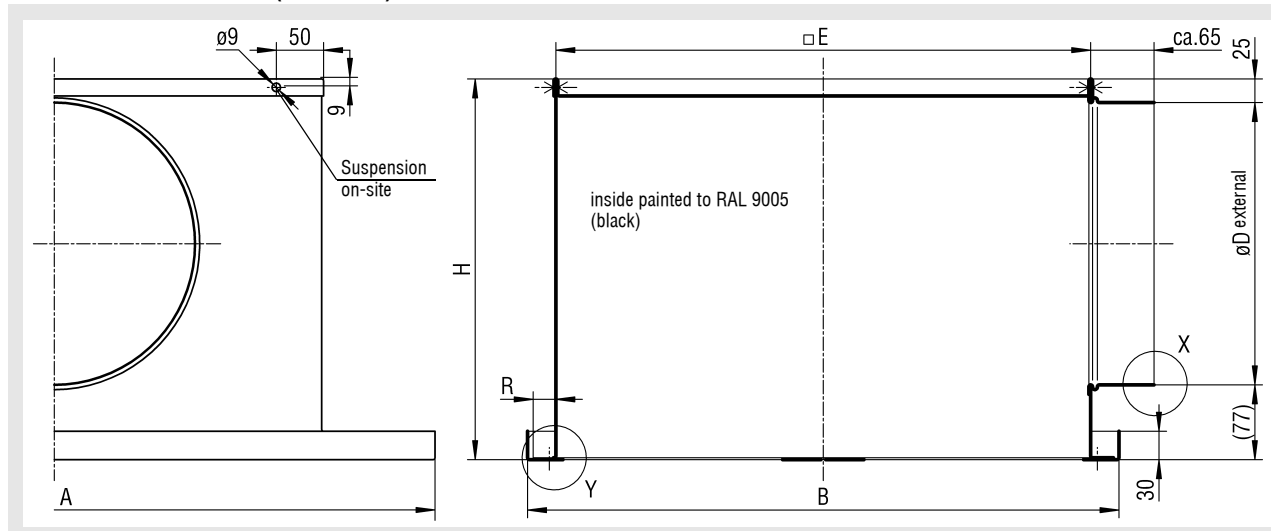
Models and dimensions

Dimensions

DQJ-SR-P-Z with SAK-Z (for supply air)



DQJ-SR-P-A with SAK-A (return air)



Available sizes

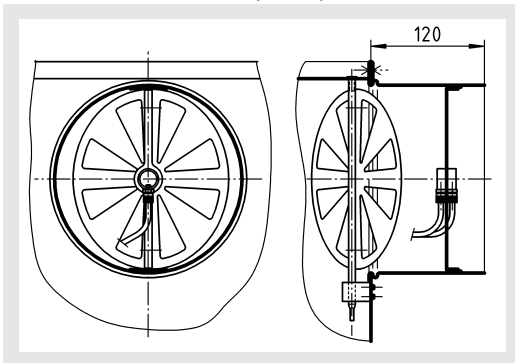
NW	A min.	A max.	B min.	B max.	□E	R	DQJ-SR-P-Z		DQJ-SR-P-A		
							H	øD	H	øD	
310	308	1500	308	900	290	8	260	158	300	198	
400	398		398		370	12	260	158	300	198	
500	498		498		470	300	198	350	248	400	298
600	598		598		570	350	248	400	298	400	298
625	623		623		570	24	248	400	298	400	298
800	798		798		770	24	24	455	353	455	353

Ceiling Swirl Diffuser in Panelled Ceilings DQJ-SR-P

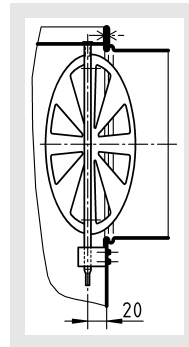
Dimensions of accessories

(at an extra charge):

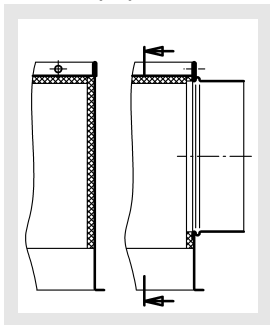
Volumetric flow meter (-VME)



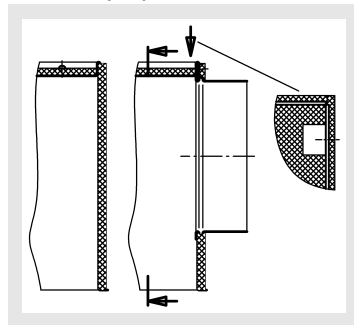
Throttle damper (-DK)



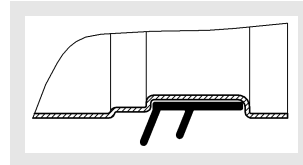
Insulation for SAK
internal (-li)



external (-la)



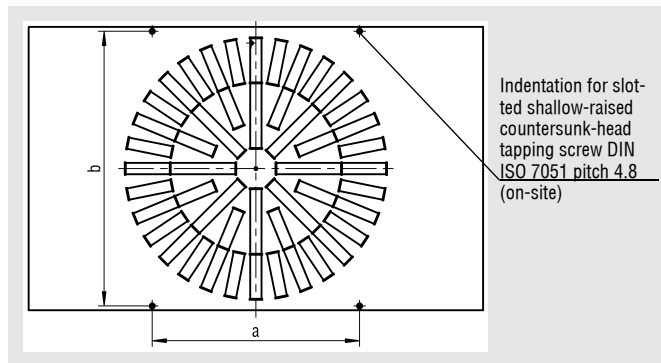
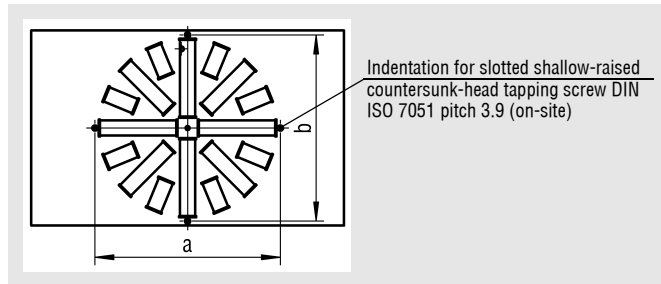
Rubber lip seal (-GD)
Detail X



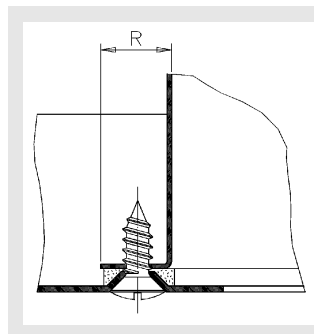
Ceiling Swirl Diffuser in Panelled Ceilings DQJ-SR-P

Fastening methods

SM mounting (-SM)
DQJ-SR-P 310



Screw mounting (-SM)
Detail Y

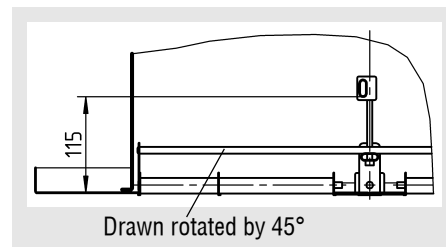
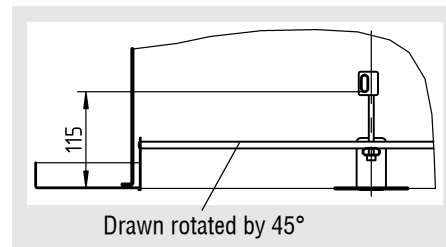
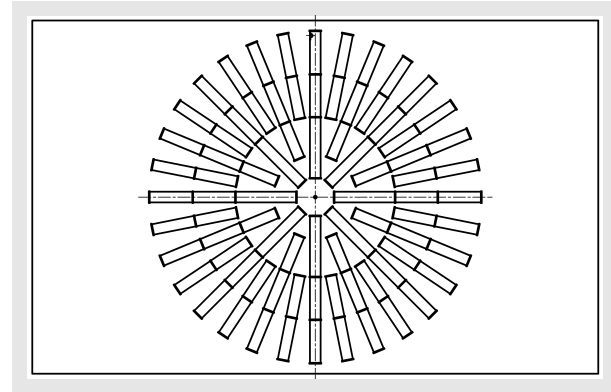


NW	a	b
310	294	294
400	238	380
500	338	480
600	438	580
625	463	580
800	498	780

For screw mounting, the swirl diffuser is fitted to the plenum box with 4 on-site slotted shallow-raised countersunk-head tapping screws.

Concealed mounting (-VM), at an extra charge)

(only available in concealed mounting (-VM))



For concealed mounting, the swirl diffuser is fixed to the plenum box with a transverse pole brace and a hexagonal socket head screw DIN EN ISO 4762 M6.

Ceiling Swirl Diffuser in Panelled Ceilings DQJ-SR-P

Specification texts

Ceiling swirl diffuser type DQJ-SR-P-Z integrated in panelled ceilings for supply air, square desing, radial blade pattern The faceplate has the same dimensions as the ceiling panels for a uniform ceiling appearance and time- and cost-saving assembly. Particularly suitable for comfort rooms with high air change rates and for VAV systems having variable volumetric flows (between 40 and 100%). Cooling and heating modes are possible. Consisting of a faceplate in panel size made of sheet steel provided with a high-quality powder coating in a RAL colour (RAL 9010, white, standard), with central pivoting, aerodynamic radially fitted air deflection blades, which are individually adjustable, without any tools, from the diffuser front side without dismantling the diffuser, in support profile design made of plastic RAL 9010 (white), RAL 9005 (black) or aluminium, painted individually or to the same RAL colour as the faceplate (subsequent adjustment of blades not possible). Depending on the size, the air throw pattern "B" can be selected, which is distinguished by higher induction Free cross-section, resistance and sound power level constant in all blade positions. With visible screw mounting (SM) and circumferential foam seal. For size 800 with concealed mounting (-VM).

Product: SCHAKO type **DQJA-SR-P-Z**

- for return air, without air deflection blades, with faceplate, circular perforation.

Product: SCHAKO type **DQJA-SR-P-A**

- with air throw "A" for longer horizontal throw distance.
- with concealed mounting (-VM), made of aerodynamic aluminium profile suspended at 6 points only available with plenum box.

Accessories:

- plenum box (-SAK), made of galvanised sheet steel, with fixing lugs and lateral connection piece.
- Supply air version with integrated perforated air flow straightener (SAK-Z).
- Return air model inside painted (SAK-A) to RAL 9005 (black)
- with throttle damper (-DK) in plenum box, adjustable from below, for simple air volume regulation without dismantling the faceplate.
- with volumetric flow meter (-VME)
- with ROB version (-ROB), removable diffuser plate, throttle damper and volumetric flow meter.
- with rubber lip seal (-GD), made of special rubber, at the connection pipe.
- with thermal insulation
 - internal (-li)
 - external (-la)