



Installation, Mounting and Maintenance

DISA-W



Ferdinand Schad KG
Steigstraße 25-27
D-78600 Kolbingen
Telephone +49 (0) 74 63 - 980 - 0
Fax +49 (0) 74 63 - 980 - 200
info@schako.de
www.schako.de

Installation, Mounting and Maintenance DISA-W

Contents

Safety instructions	3
General information	3
Warranty	3
Recycling	3
General information	4
Identification of the delivered model	4
Function	4
Installation and commissioning	5
Operating conditions	5
Material reception	5
Transport, lifting and handling	5
Storage	5
Installation	6
Mounting	6
Hydraulic connections	6
Connecting the air ducts	7
Mounting accessories	7
Checks	8
Maintenance	8
Disassembling the units	8
Air ducts and plenum box	8
Registers	9
Grille	9
Checking the primary volumetric flow	10
Troubleshooting	11
EC DECLARATION OF CONFORMITY	12

Installation, Mounting and Maintenance DISA-W

Safety instructions

Prior to installation and commissioning of this device, please read completely through this manual. Please observe in particular the regulations and operating instructions containing the hazard symbols and safety signs. Non-observance can result both in damage to the device and personal injuries. If, after reading through the manual, you have further questions, please contact the manufacturer or the local sales office.

General information

- The inspection, installation, hydraulic connection and commissioning of the device must be carried out by qualified skilled personnel only in compliance with the current regulations.
- Electric and hydraulic connections and their correct functioning are the responsibility of the installer.
- Do not change any control or safety elements without prior approval by the manufacturer or the local sales office.

SCHAKO shall not give any warranty for damage resulting from:

- Improper use caused by ignoring the instructions given in this manual
- Non-observance of the operating conditions of the device.
- Installation and maintenance by personnel without proper qualification.
- Improper use of the device or operation under conditions not conforming to the manual.
- Use of spare parts that are not original spare parts.

Warranty

The device warranty will be for two years starting from the handover date and shall apply to all production faults. Electric components are excluded from the device warranty. However, they are covered by the corresponding warranty of the relevant manufacturer

Also excluded from the warranty is damage to the device unit caused by components that are not part of the device itself.

The warranty only covers the return and replacement of defective materials.

Recycling



It is recommended recycling the components of the device at the end of the device service life as completely as possible or use them for a different purpose. Components that cannot be recycled must be properly disposed of by an authorized disposal company in accordance with current legal regulations.



Hazard warning



Important information



Safety information



Recycling



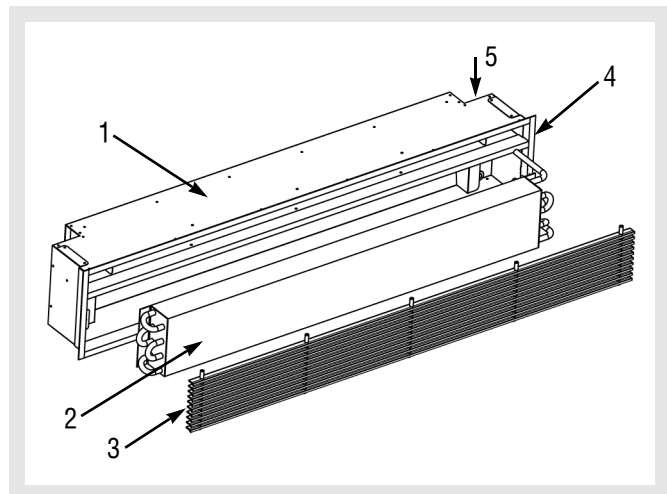
It is recommended keeping this manual at a safe location after installation and use it for future maintenance activities.

Installation, Mounting and Maintenance DISA-W

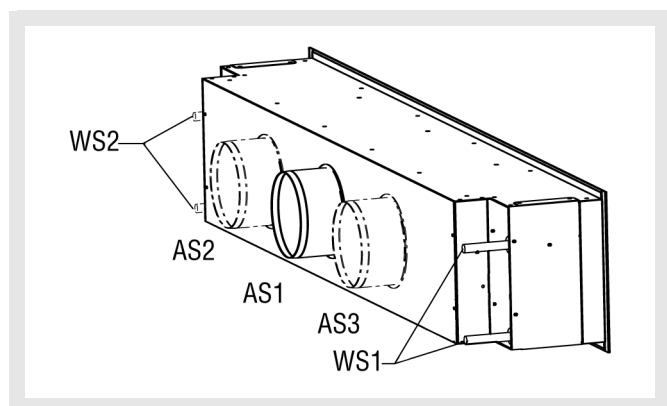
General information

Identification of the delivered model

The wall induction diffuser type DISA-W is available in four different nozzle configurations: **A, B, C** und **D**, and different device lengths.

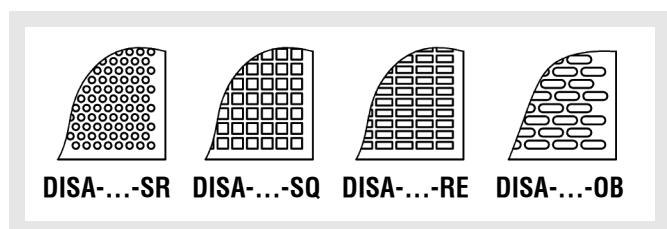


Housing (1): Galvanised sheet steel, with 1 or 2 connection pipes DN 98, 123 (standard) and $\varnothing 148$ mm, position of connection pipes horizontal (-H).



Register (2): Vertical 2-pipe (-H, standard) or 4-pipe register (-HT, optional) for cooling and heating. The registers consist of copper pipes 12 mm in thickness, aluminium ribs, diffuser system and a steel frame.

Grille (3): Possible designs: perforated sheet grille made of galvanised sheet steel (perforated sheet grille models: -SR, -SQ, -RE and -OB) made of extruded aluminium profile (-PA). Both painted to RAL 9010 (white, standard).



End pieces (4): Sheet steel painted to RAL 9010.

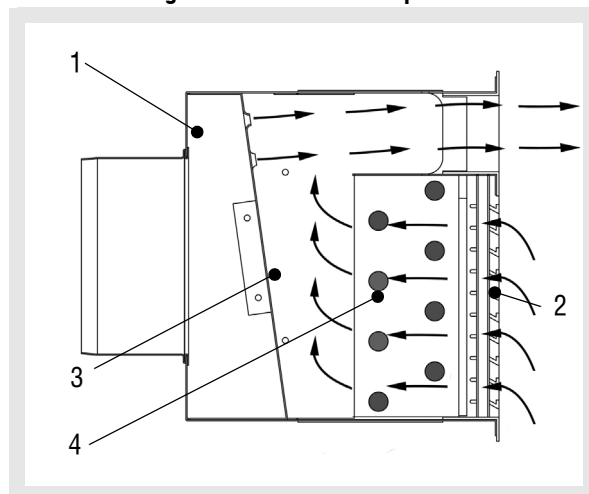
Hydraulic connections (5): Upon customer request, the hydraulic connection to the registers can be established either on the left-hand (-WS1) or right-hand side (-WS2) of the unit.

Function

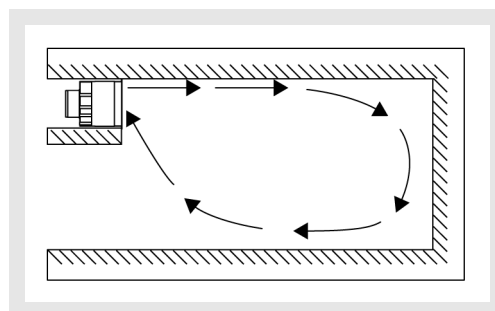
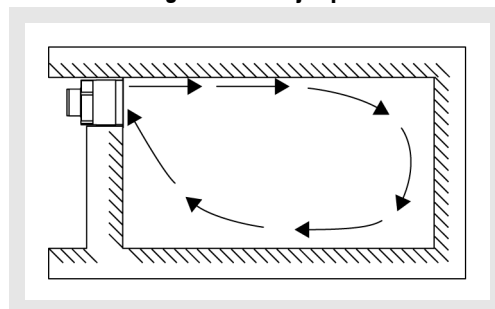
The primary air (1) supplied from the plenum box induces secondary air in the room (2), which is cooled or heated via the register (4).

The primary air is mixed with the cooled secondary air. The combined (3) primary and secondary air flows are supplied to the room at low velocity via supply air slots.

Schematic diagram of the mode of operation



Schematic diagram of the jet path



Installation, Mounting and Maintenance DISA-W

Installation and commissioning

Operating conditions

Prior to installation or commissioning of the device, the following operating conditions must be observed:

- Coolant or heating fluid: water or glycols (ethylene or propylene) at a concentration below 60%.
- Water inlet temperature: above the dew point up to 80°C (Please note that some connectors do not work at water temperatures above 65°C)
- Air inlet temperature: from 2 to 45°C
- Max. operating pressure: 8 bar / 95°C









To prevent deposits and corrosion, the quality of the water for filling the registers must comply with regulations VDI 2035 and DIN 50930.

Material reception

Upon reception of the materials, the components must be carefully checked, in order to guarantee that no transport damage has taken place. Moreover, the dimensions, composition and number of the identification plate must be checked as to whether they are as ordered.

Identification sticker:

 	
Model / Modelo / Modell DISA-W-H/SR/B/900/H/123/AS1/WS1	
Order nr. / Nº Pedido / Auftragsnr.:	2198/09
Date / Fecha / Datum:	22/10/2009
Reference / Referencia / Referenz:	Sala 1 Hospital Clínico
Comments / Observaciones / Bemerkungen:	
 Read manual of instructions / Lea el manual de instrucciones / Betriebs- und Wartungsvorschriften beachten.	
 Do not drill the machine / Maschine nicht durchbohren / No taladrar la máquina	
 Special attention in the connection nuts-coil / Besondere Vorsicht an der Registerverschraubung/ Especial cuidado en la conexión tuercas-batería .	
 Recycle or arrange the residues according to the current rules / Recicle o gestione los residuos según la normativa vigente. Bitte, entsprechend der gültigen Gesetzgebung recyceln.	

- **H:** 2-pipe system
- **SR:** Perforated sheet grille, - perforation Ø6 mm -
- **B:** Nozzle configuration - B -
- **900:** Length - 900 mm -
- **H:** Connection - horizontal, standard -
- **123:** Diameter of the connection pipes - 123 mm -
- **AS1:** Number of connecting pieces - 1 connection pipe arranged centrally -
- **WS1:** Hydraulic connection - (left) -

To prevent possible damage during transport, the devices will be delivered ex works on pallets (that correspond to the particular weight and dimensions) wrapped with tapes and transparent plastic film. It is recommended leaving this protection in place until the device is commissioned. The openings of the pipes should be closed with dust caps to avoid dust and entry of dirt.

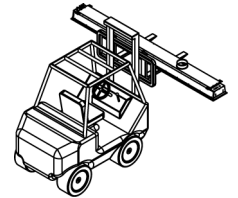


Should manufacture-related damage be detected on the device, please contact your local sales office prior to installation.

Transport, lifting and handling

Transport and handling of the unit shall take place in the position in which the unit is to be built in later on, unless expressly stated otherwise on the unit.

Transport, unloading and lifting of the unit shall take place with the necessary care and using tools that are appropriate for the weight and dimensions.



Model	900	1200	1500	1800	2100	2400	2700	3000
Weights⁽¹⁾ (kg)	11	14	17	20	23	27	30	33

⁽¹⁾ Standard unit: housing + slot + grille and heat exchanger (empty)



The unit shall only be held in position or moved by holding on to the housing. The weight must not rest on the condensate pan or the water connections.



SCHAKO cannot be held liable for damage to the unit caused by improper handling or handling not mentioned here, loading or unloading.

Storage

If the device is not installed immediately after its reception, it must be stored according to the following instructions:

- The device must be stored at a dry, clean, safe location where no damage to the device can occur, i.e., outside corrosive atmospheric influences.
- Leave the protections attached ex works (film, tapes, pallets, etc.) on the device, unless they have already been removed beforehand.
- Cover the device with tarpaulins, in order to protect it from dust, moisture and extreme temperatures.
- Entries, openings and pipes must be hermetically sealed with dust caps.

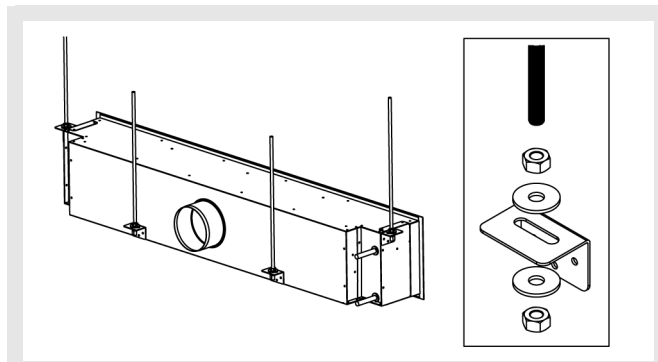
Installation, Mounting and Maintenance DISA-W

Installation

The wall induction diffuser type DISA-W is suitable for vertical installation in a wall or ceiling panelling. The devices must not be installed in places with extreme moisture (e.g. laundries or swimming pools), aggressive media, with high dust formation, outdoors or in places subject to explosion hazards.

For correct installation, the following instructions must be followed:

- Make sure that places that are intended as openings for air admission and air discharge are free of pipes, electric cables, crossbeams, stands, etc.
- Install the unit at a site that has good air quality.
- Make sure that wall and ceiling correspond to the weight of the device and also allow correct mounting of the fastening elements in the ceiling.
- The installation site must have sufficient space and the necessary resources for carrying out mounting and maintenance activities of all device components. Make sure that the valves are easily accessible.
- The hydraulic pipes should be attached above the device.
- If the hydraulic pipework is lower than the input of the device, a ventilation opening must be provided on site.



During mounting the end of the register pipes must be sealed to protect them from dust and dirt.



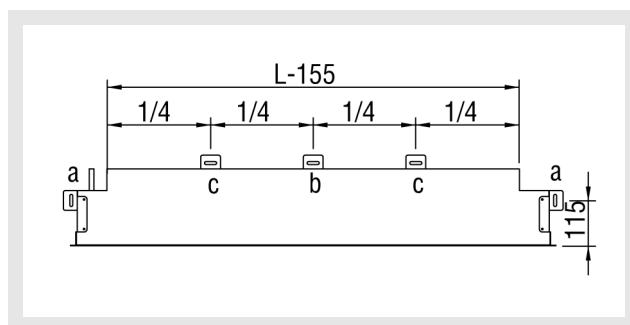
For the installation of the device, use adequate tools, devices and materials and observe the safety regulations and other current regulations.



SCHAKO cannot be held liable for damage resulting from faulty installation or the use of unsuitable fastening devices.

Mounting

Mounting the induction diffusers by means of threaded rods. Nuts and M6 washer on load-bearing wall constructions Use only fastening material approved by the building supervisory authorities.



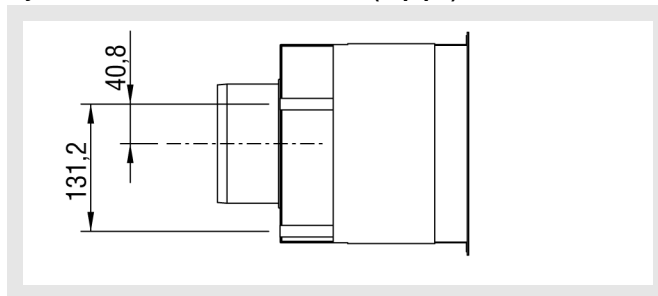
L	1 connection piece	2 connection pieces
900	a,c	a,b
1200		
1500		
1800		
2100		
2400		
2700		
3000		

Hydraulic connections

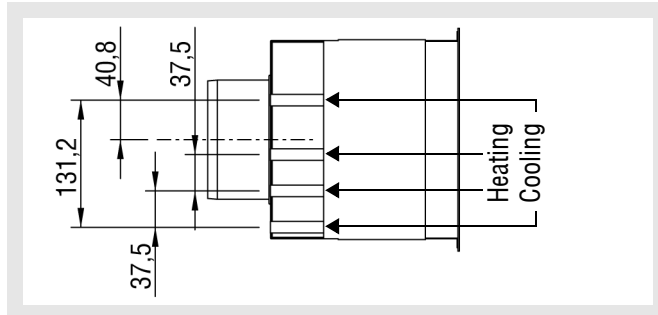
Upon customer request, the hydraulic connection to the registers can be established either on the left-hand (-WS1) or right-hand side (-WS2) of the unit.

As standard the cooling circuit pipes are attached on the outside and the heating circuits at the centre of the register.

Hydraulic connections DISA-W-H (2-pipe)



Hydraulic connections DISA-W-HT (4-pipe)



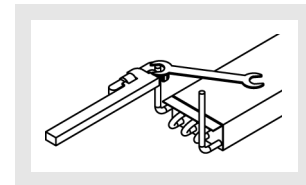
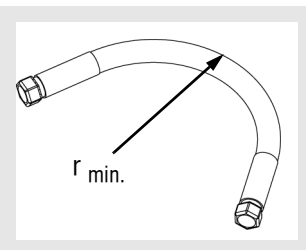
Installation, Mounting and Maintenance DISA-W

Amount of water of the registers:

Model	Water capacity (litres)		
	DISA-W-HT		DISA-W-H
	Heating	Cooling	
900	0,2	0,6	0,8
1200	0,3	0,8	1
1500	0,3	1	1,3
1800	0,4	1,2	1,6
2100	0,5	1,4	1,8
2400	0,5	1,6	2,1
2700	0,6	1,8	2,4
3000	0,7	2	2,7

The connection of the hydraulic connections can be done by soldering, pressing (in connection with supporting sleeves) or by means of flexible hoses resistant to oxygen diffusion and push-fit systems. The use of flexible hoses is subject to the manufacturer's specification.

When making the hydraulic connections, you have to use suitable tools to avoid excessive tightening or twisting of the register connections



In order to achieve a uniform cooling capacity, the wall induction diffusers type DISA-W should be connected to the cold water distribution system in parallel.

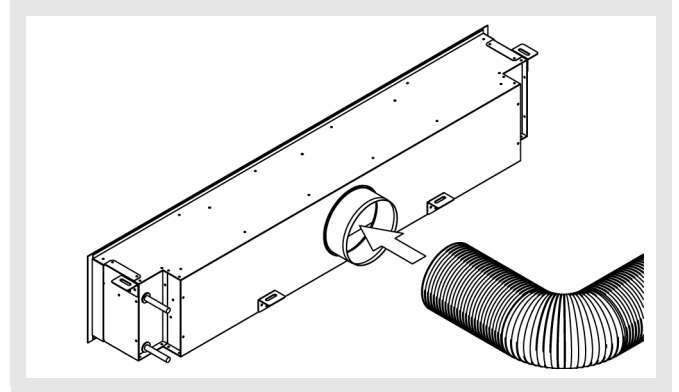
When charging the register, make sure by means of on-site ventilation devices that no air remains in the hydraulic circuit. If the unit is to be installed at a location having temperatures below zero degrees, glycol must be admixed to the coolant in a suitable ratio, to ensure that the freezing point of this liquid always stays below the minimum temperature of the operating site. Please note that the use of an antifreeze necessarily results in a loss in performance of the register.



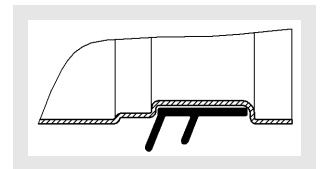
The wall induction diffusers type DISA-W are induction devices for "dry cooling". To avoid condensates, the water inlet temperature should be higher than the dew point.

Connecting the air ducts

The air ducts are attached by using pipe clamps, fixing lugs or the like.



Optionally, a rubber lip seal can be installed on the connection pipe, to ensure tightness between the device and the pipes.



Mounting accessories

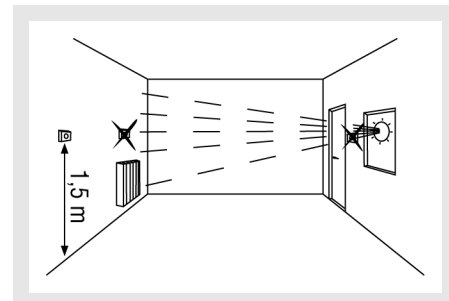
Valves and actuators

Valves and actuators shall not be installed ex works. During installation the manufacturer's specifications must be observed.

Temperature controls

The temperature controls are mounted in accordance with the selected model. This is why the instructions enclosed with each model must be followed. However, in order to achieve optimum measurement by the sensors, the following basic information should be observed:

- Do not mount the temperature control close to or above a heat source (direct sunlight, lamps, television sets, radiators, etc.), in places with draught air or directly opposite to an air outlet grille.



- Temperature controls must be mounted at least 1.5 metres above the floor.
- Mounting temperature controls on walls toward the outdoors should be avoided.

Installation, Mounting and Maintenance DISA-W



Prior to drilling, make sure that no electric cables are present in the wall at the location where the temperature control is attached

Condensate monitor

The installation of a condensate monitor depends on the selected model. Please follow the instructions enclosed with each model.



Faulty mounting of the sections and of the accessories of the unit can result in a substantial power loss of the unit.

Checks

Prior to commissioning, the following items must be checked or guaranteed:

- Hydraulic connections were tightened properly and exhibit no leaks.
- Connecting and fastening elements have been sufficiently tightened.
- Adequate access for carrying out the maintenance activities has been provided.
- Use the on-site ventilation devices to ensure that no air remains in the register and the water circuit.



After these items have been taken care of, the correct fastening of the device must be checked.

During commissioning itself, the following items must be guaranteed:

- The connecting and fastening elements have been sufficiently tightened.
- In heating mode, the temperature of the discharged supply air is not above 40°C.

Maintenance

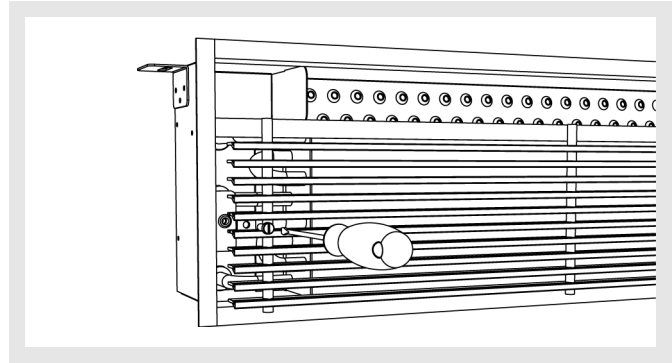
For reasons of safety, the power supply and hydraulic circuit must be disconnected prior to any maintenance activity. If the unit was operated in heating mode, you have to wait until the register has cooled down.



When performing maintenance activities, it is recommended wearing personal protective equipment, in order to avoid cuts and other injuries produced by sharp and pointed parts.

Disassembling the units

The screws attached to the device allow easy dismounting of the grille, in order to carry out the maintenance activities.



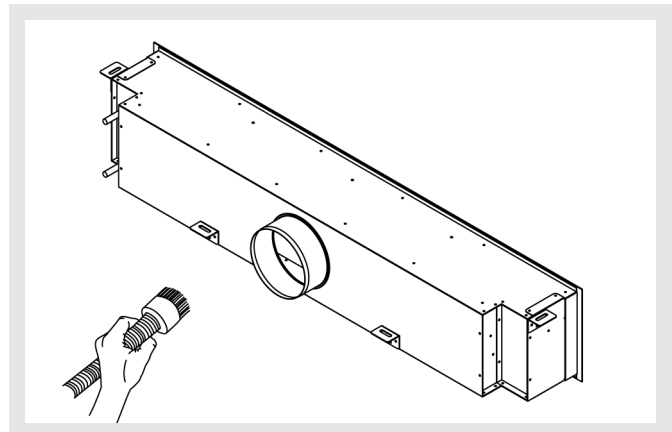
To avoid accidental rotation or folding down of the grille, please check that the locks are properly closed.



For reasons of safety, the power supply and hydraulic circuit must be disconnected prior to any maintenance activity.

Air ducts and plenum box

Clean them by blowing compressed air through them or by using non-aggressive cleaning agents.



Installation, Mounting and Maintenance DISA-W

Registers

To guarantee the technical characteristics of the device, the registers and heat exchangers must be kept in good clean condition. To ensure this, the following maintenance activities must be carried out:

- If the register is soiled, clean it by spraying it with water or compressed air or by evacuation.
- Please do not use any scouring agents for cleaning since these materials may impair or damage the DISA-W (galvanised steel, aluminium and copper) and the surface coatings (paints and anodised surfaces).
- If there are larger differences in distance between the ribs, they must be "aligned".
- Ventilate the hydraulic circuits of the register. In doing so, watch out for possible leaks of the hydraulic system.

If condensates are detected, interrupt the hydraulic circuit and find the possible cause of the problem.



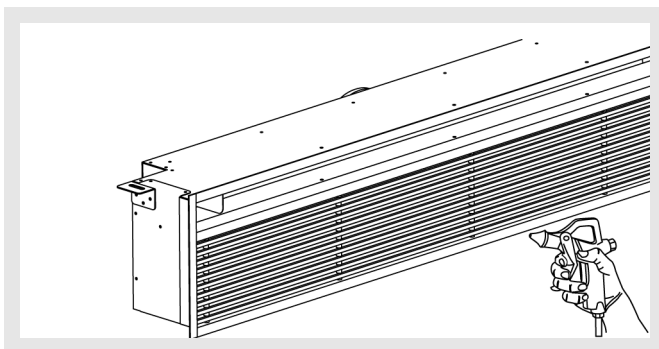
When decommissioning the unit or shutting it down for a longer period in winter, the water must be drained from the unit, in order to avoid damage to the register due to the formation of ice. If you want to use antifreezes, you must first determine the freezing point.



After recharging the register, the installer has to make sure by means of on-site ventilation devices that no air remains in the hydraulic circuit.

Grille

Clean them by blowing compressed air through them or by using non-aggressive cleaning agents.



Installation, Mounting and Maintenance DISA-W

Checking the primary volumetric flow

The supplied primary volumetric flow can be simply checked by checking the static pressure with a Pa meter and the measuring tube available from us as accessory.

To this end, one end of the measuring tube fitted with a rubber cap is pressed against the air outlet of one of the nozzles at the primary air plenum box (see drawing) and the other end is connected to the hose connection of a Pa meter.

The values read on the meter and the following formula can be used to determine the volumetric flow:

$$V = K \sqrt{P_s}$$

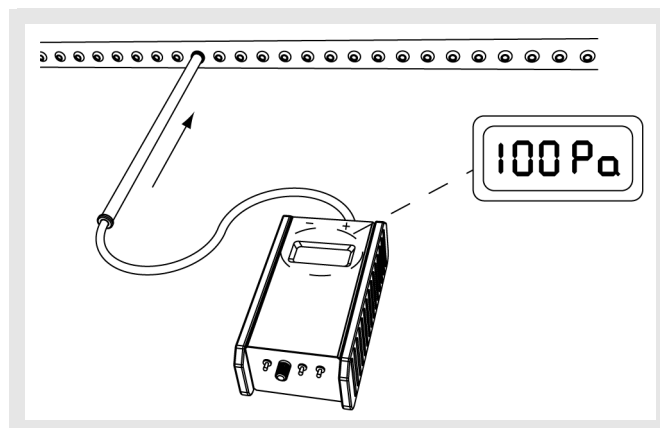
V [l/s] = Primary air flow

Ps [Pa] = Static pressure

The K value is taken from the following table:

Nozzle configuration	L (mm)							
	900	1200	1500	1800	2100	2400	2700	3000
A	0,42	0,62	0,79	0,99	1,16	1,32	1,51	1,69
B	0,71	1,06	1,35	1,69	1,98	2,27	2,59	2,90
C	1,32	1,96	2,50	3,14	3,68	4,21	4,80	5,39
D	1,97	2,92	3,72	4,67	5,48	6,28	7,15	8,03

Air density:
 $\rho = 1.2 \text{ kg/m}^3$



The Pa meter is not included in the delivery.

Installation, Mounting and Maintenance DISA-W

Troubleshooting

Problem	Possible cause	Solution
The unit does not cool or heat sufficiently	Primary air volume not present or too low	Check primary air volume
	Air inlet and outlet of the inner unit clogged	Remove foreign material and clean the unit
	Air in the hydraulic system	Ventilation of the hydraulic system Please inform the installer
	Installed unfavourable or malfunctions at the temperature control or sensor	Install thermostat in a different place
	Clogging of the cooling/heating register	Clean the register in accordance with the maintenance instructions
The unit is losing water	Condensates in the register	Modify the register water inlet temperature
	The water circuit of the register is leaking	Please inform the installer
	Register damaged	
	Incorrect valve or hydraulic connection	
The unit is working with too much noise	The air intake or air blow openings or the lines are clogged.	Remove foreign material and clean the unit
	Loose screws and fastening elements	Tighten screws
	Foreign material or dirt on register surface	Remove foreign material by careful brushing
	Primary air volume too large for selected configuration.	Check primary air volume

EC DECLARATION OF CONFORMITY

[FOR  MARKING]

FERDINAND SCHAD KG WITH THE COMPANY HEAD OFFICE IN
Steigstraße 25-27
D-78600 Kolbingen
(GERMANY)

HEREBY DECLARES THAT THE DESIGN AND CONSTRUCTION OF THE
air treatment units

DISA-W


COMPLY WITH THE FOLLOWING REGULATIONS:

- Machinery Directive 2006/42 EC
- Directive on General Product Safety: 2001/95/EC

APPLICABLE HARMONISED REGULATIONS

- **DIN-EN-ISO 12100 SAFETY OF MACHINERY** - Safety of Machinery - Basic terms, general principles of design - Part 1: Basic terminology, methodology
- **DIN-EN-ISO 12100 SAFETY OF MACHINERY** - Safety of Machinery - Basic terms, general principles of design - Part 2: Technical guiding principles
- **EN-ISO 13857:2008 SAFETY OF MACHINERY** - Safety distances to prevent hazard zones from being reached by upper and lower limbs
- **EN ISO 14121-1:2007 SAFETY OF MACHINERY** - Risk assessment - Part 1: Guiding principles

Signed:


Dr. Marcus Müller.
Kolbingen, 2012