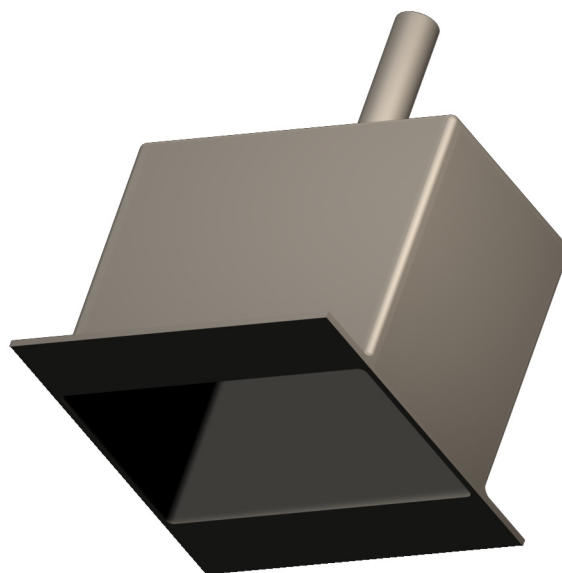




Pressure Measurement Box

DBB-Z



SCHAKO KG
Steigstraße 25-27
D-78600 Kolbingen
Phone +49 (0) 74 63 - 980 - 0
Fax +49 (0) 74 63 - 980 - 200
info@schako.de
www.schako.de

Pressure measurement box DBB-Z

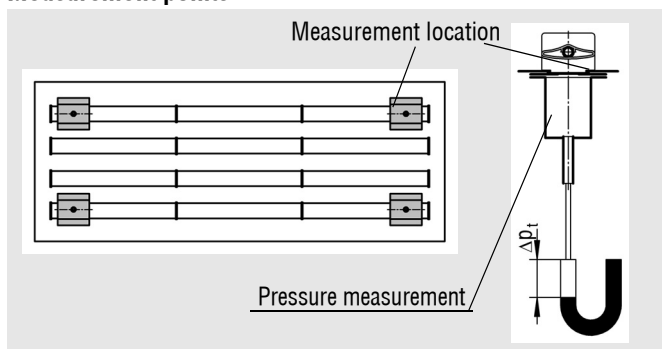
Description

Volumetric flow measurement at the ceiling diffuser DBB-Z

(Pressure measurement box)

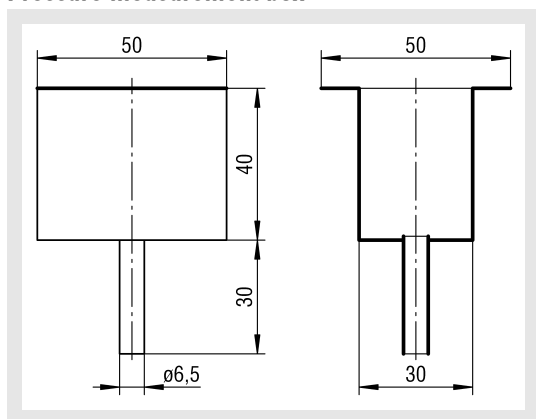
It is often no longer possible to perform volumetric flow measurement at the connecting pipe in the ceiling cavity. The pressure measurement box is available to address this requirement. The pressure measurement box is connected to a suitable measurement instrument such as an inclined tube pressure gauge. The box is then pressed against the measurement points of the diffuser shown below and the pressure measured at the gauge. The mean value is calculated from the total of these four individual measurements. Using the diagram, the volumetric flow can now be read.

Measurement points



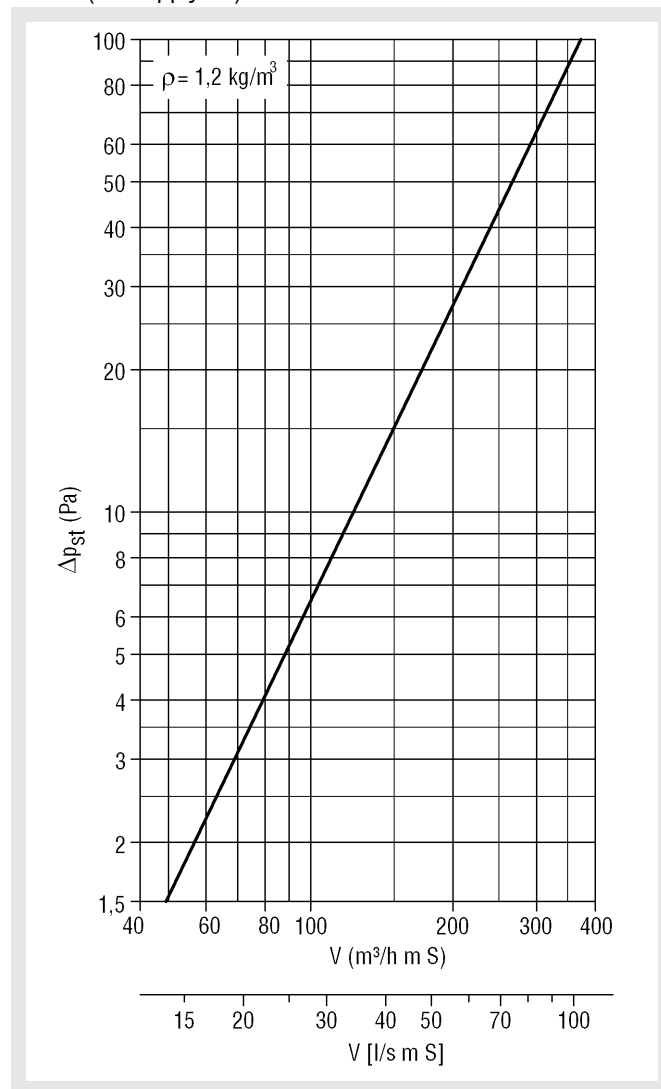
Dimensions

Pressure measurement box



Supply air pressure loss

DBB-Z (for supply air)



Legend

- Δp_{st} (Pa) = Static pressure (average value from 4 measurements)
- V (m³/h m S) = Supply air volume per metre per slot
- V [l/s m S] = Supply air volume per metre per slot
- ρ (kg/m³) = Density

Number of slots, length-wise	Width B (mm)	Length L (mm)						
		325	425	525	625	825	1025	1225
2	115	548	748	948	1148	1548	1948	2348
4	215	1096	1496	1896	2296	3096	3896	4696
6	315	1644	2244	2844	3444	4644	5844	7044
		Total length of slot						