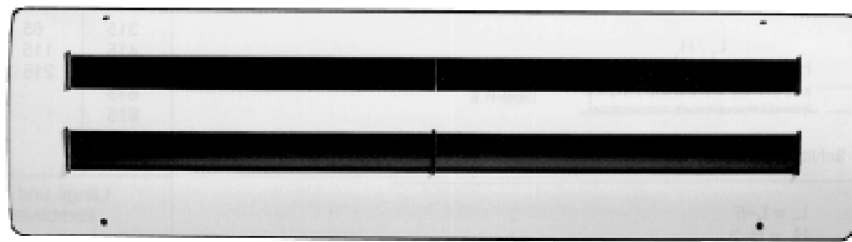




Round Duct Grille

Model DBB-R



Ferdinand Schad KG
Steigstraße 25-27
D-78600 Kolbingen
Telephone +49 (0) 74 63 - 980 - 0
Fax +49 (0) 74 63 - 980 - 200
info@schako.de
www.schako.de

Round Duct Grille Model DBB-R

Contents

Description	3
Construction	3
Model	3
Fastening	3
Models and dimensions	3
Dimensions	3
Installation	4
Order details	4
Specification texts	4

Round Duct Grille Model DBB-R

Description

Supply and return air especially for duct connection, with front-side horizontal pivoting air deflection blades. Open cross section, resistance and noise remain constant in all blade positions.

Please note that cutting the folded spiral ducts may produce tensions that can affect the grille and which the grille cannot withstand. This is why the grille length should be limited to max. 815 mm when being installed in spiral ducts.

The installation of DBB-R in spiral ducts must take place without producing tensions. Avoid using unround or deformed spiral ducts, in order to protect the nozzle from distortion.

Design

The round duct type DBB-R is designed according to the diagram of the ceiling diffuser type DBB-RR.

Construction

Blades

- Plastic, RAL colour 9010 (white) or RAL colour 9005 (black).
- Aluminium painted to the RAL colour of the frame profile. Painted blades cannot be adjusted afterwards (at an extra charge).

Frame

- Sheet steel painted to RAL 9010 (white)

Hit-and-miss damper

- Electrolytically galvanised sheet steel

Model

- DBB-R-1-Z - for supply air, with air deflection blades
 DBB-R-8-Z - as DBB-R-1-Z, with hit-and-miss damper
 DBB-R-1-A - for return air, without air deflection blades
 DBB-R-8-A - as DBB-R-1-A, with hit-and-miss damper

Fastening

Screw mounting (-SM)

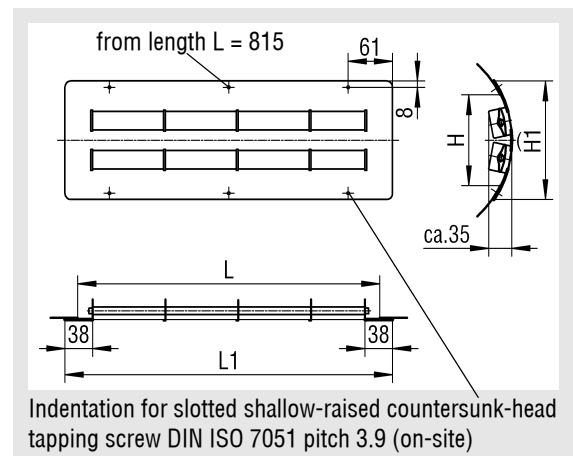
- Standard, screws must be provided on-site

Concealed mounting (-VM)

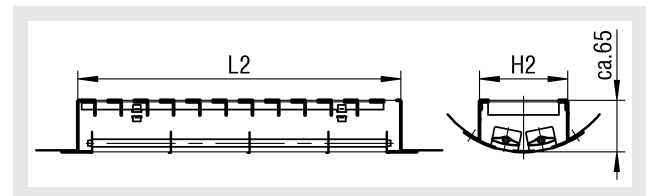
- Not possible!

Models and dimensions

Dimensions



DBB-R 8



Attention: The hit-and-miss damper is not adjustable from the front side in the model **DBB-R 8**.

Available sizes

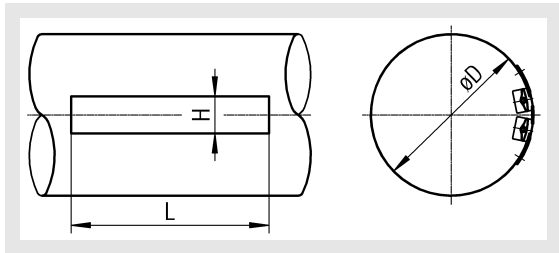
L	L1	L2		H	H1	H2	Number of slots
		Supply air	Return air				
315	350	310	276	65	100	60	1
415	450	410	376	115	150	110	2
515	550	510	476	215	250	210	4
615	650	610	576				
815	850	810	776				
1015	1050	1010	976				
1215	1250	1210	1176				

All lengths and heights can be combined!
 For lengths L > 515 mm, an intermediate rail is punched in.

Round Duct Grille Model DBB-R

Installation

Installation situation DBB-R



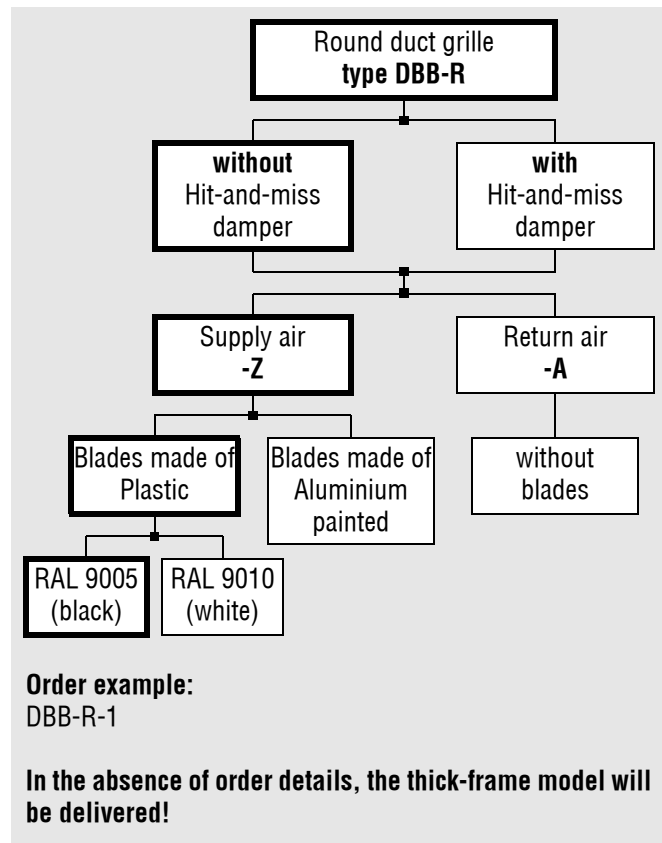
Duct diameter

H	øD		
	min.	ideal	max.
65	140	250	400
115	300	500	800
215	600	750	1250

The three height measurements enable optimum adaptation of the round duct grille type DBB-R to sheet steel or spiral ducts. The selection of the grille height depends on the duct diameters shown in the table. The grille frames only make optimum contact when the ideal duct diameter is used. For the dimension 1215 x 65 mm (LxH), the minimum pipe diameter is 355 mm. For any additional technical data, please refer to the documentation Ceiling Diffuser Type DBB

The installation of DBB-R in spiral ducts must take place without producing tensions. Avoid using unround or deformed spiral ducts, in order to protect the nozzle from distortion.

Order details



Specification texts

Supply air round duct grille, consisting of for duct connection made of frame painted in RAL 9010 (white) with front side horizontal pivoting air deflection blades of plastic RAL 9005 (black), RAL 9010 (white) or painted aluminium (blades not adjustable subsequently). Fastening with screw mounting (SM).

Product: SCHAKO **type DBB-R-1-Z**

- with hit and miss damper of electrolytically galvanised sheet steel for commissioning
Product: SCHAKO **type DBB-R-8-Z**
- for return air without air deflection blades
Product: SCHAKO **type DBB-R-1-A**
- for return air with hit and miss damper of electrolytically galvanised sheet steel for commissioning.
Product: SCHAKO **type DBB-R-8-A**