



# Suspended Ceiling Fixture Mounting Instructions

## Alpety HKL/FKL



SCHAKO KG  
Steigstraße 25-27  
D-78600 Kolbingen  
Telephone +49 (0) 74 63 - 980 - 0  
Fax +49 (0) 74 63 - 980 - 200  
[info@schako.de](mailto:info@schako.de)  
[www.schako.de](http://www.schako.de)

## Alpety HKL/FKL

### Suspended Ceiling Fixture Mounting Instructions

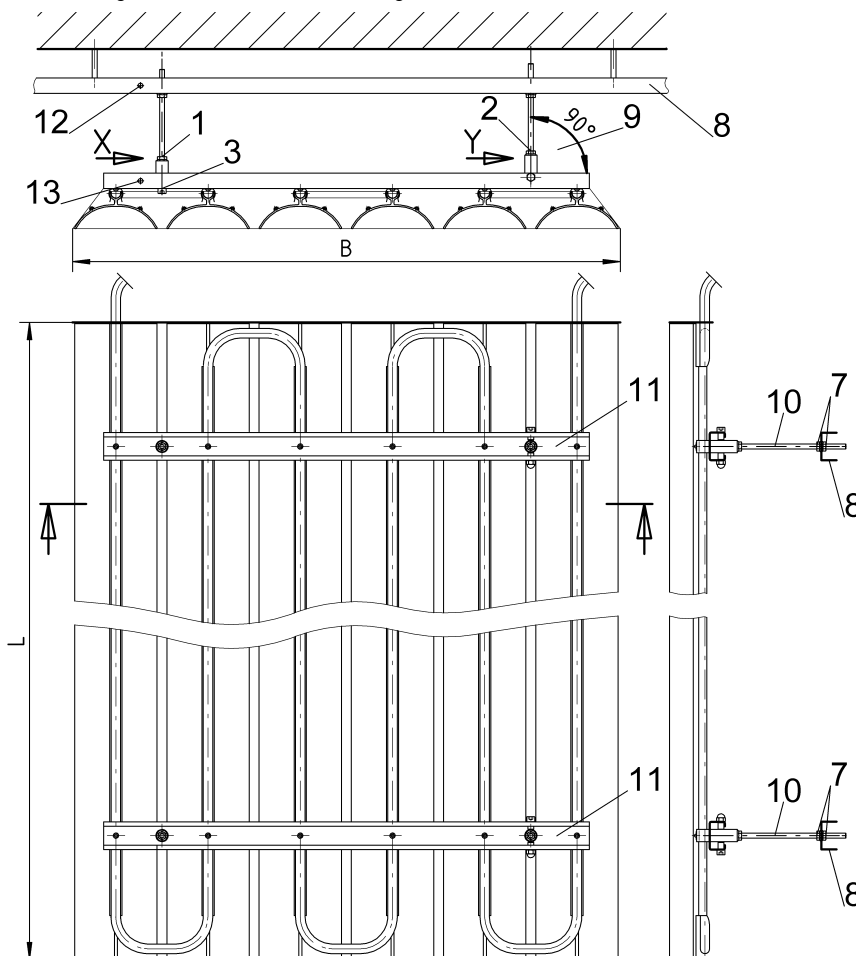
#### Preparation

Unpack your new Alpety ceiling cooling system. The suspended ceiling fixtures (pos. 1 and pos. 2) are delivered unassembled. Now mount the rigid suspended ceiling fixture (pos. 1) by sliding the delivered cylinder head screw (pos. 4 in view X) through the provided bore (pos. 3) in the suspended rail (pos. 11) and then screw down the suspended ceiling fixture from above. Next you can mount the mobile suspended ceiling fixture (pos. 2). Slide the axis (pos. 4 in view Y) through the C profile of the suspended rail (pos. 11), slide the first spacer sleeve (pos. 5), the suspended ceiling mounting fixture (pos. 2) and the second spacer sleeve (pos. 5) on to the axis. Finally, move the axis (pos. 4) completely through the C profile and fasten it with the delivered cap nut (pos. 6). Repeat these operations for each suspended rail.

Drill the holes for the suspended ceiling fixture in the on-site laser aligned suspended fixture profile (pos. 8). To do this, use a 9 mm steel drill. In doing so, make sure to place the bores at such a distance that the suspended ceiling fixtures will be later on vertical to the cooling ceiling (pos. 9). Now drill the holes (pos. 8) in the on-site suspended ceiling fixture profiles using an 12 mm steel drill. Place the holes in parallel to the bores (see pos. 13) and such that the carbine of the suspended ceiling fixture locks can be readily suspended. Hang the delivered suspended ceiling fixture locks (pos. 14 and 15) into the provided bores (pos. 13). The last preparatory step consists in screwing a hexagon nut (pos. 7) into each suspended ceiling fixture lock.

#### Fitting under ceiling

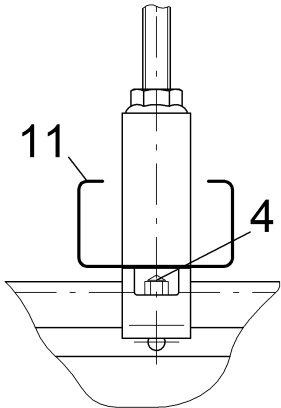
Now you can fit your Alpety cooling ceiling under the ceiling. First fasten the mobile suspended ceiling fixtures (pos. 2). To do so, slide the threaded rods (pos. 10) through the on-site bores and then screw the second hexagon nuts (pos. 7) on the threaded rods from above. Do not yet tighten the nuts, to allow the cooling ceiling to be aligned later on. Now you can fold the cooling ceiling upwards, hang the suspended ceiling fixture locks into the on-site bores (pos. 12) and screw down the rigid suspended ceiling fixtures, exactly as described for the mobile suspended ceiling fixtures. The last step consists in aligning your ceiling cooling system using the nuts (pos. 7) and checking all screws and nuts for tight fit.



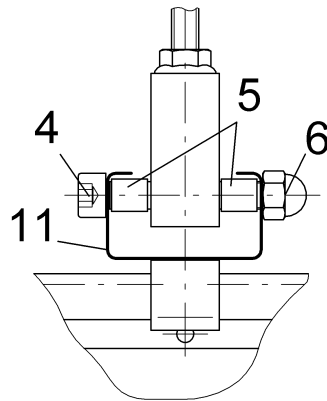
Alpety HKL/FKL

## Suspended Ceiling Fixture Mounting Instructions

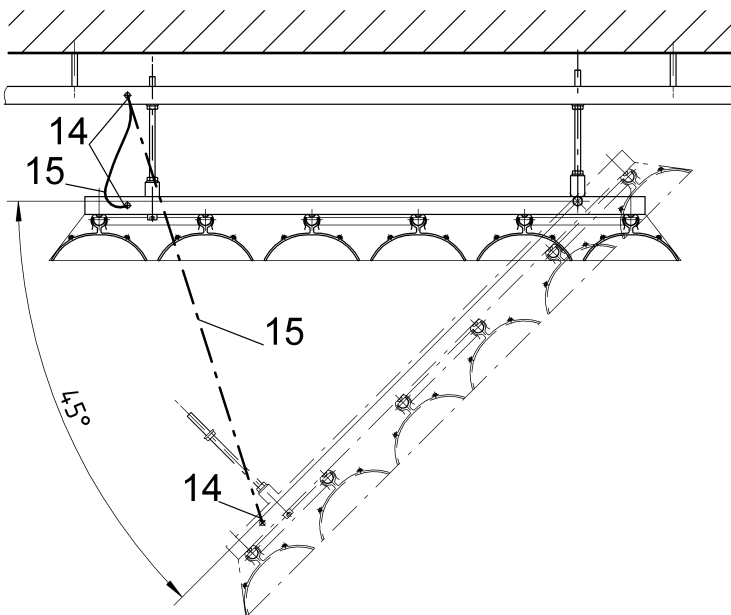
View X



View Y



### Suspended ceiling fixture lock



- |                                               |                                                            |
|-----------------------------------------------|------------------------------------------------------------|
| 1 = Rigid suspended ceiling fixture           | 9 = 90° angle                                              |
| 2 = Mobile suspended ceiling fixture          | 10 = Threaded rods                                         |
| 3 = Bore                                      | 11 = Suspended rail                                        |
| 4 = Cap screw (axis)                          | 12 = On-site bores for the suspended ceiling fixture locks |
| 5 = Spacer sleeves                            | 13 = Bores for the suspended ceiling fixture locks         |
| 6 = Cap nut                                   | 14 = Carbine                                               |
| 7 = Hexagon nut with flange                   | 15 = Wire rope $\varnothing$ 3mm                           |
| 8 = On-site suspended ceiling fixture profile |                                                            |